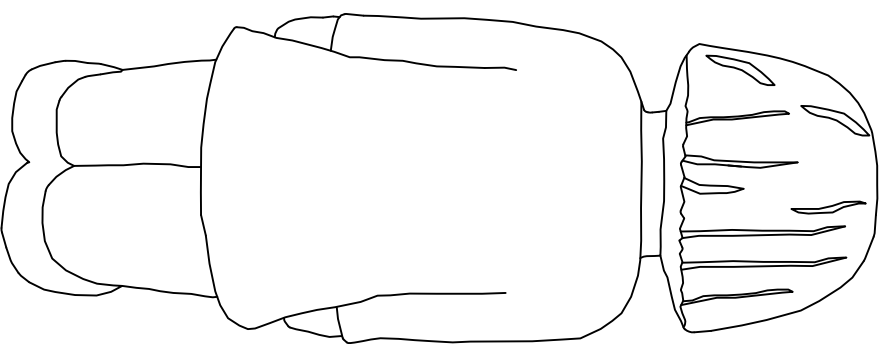


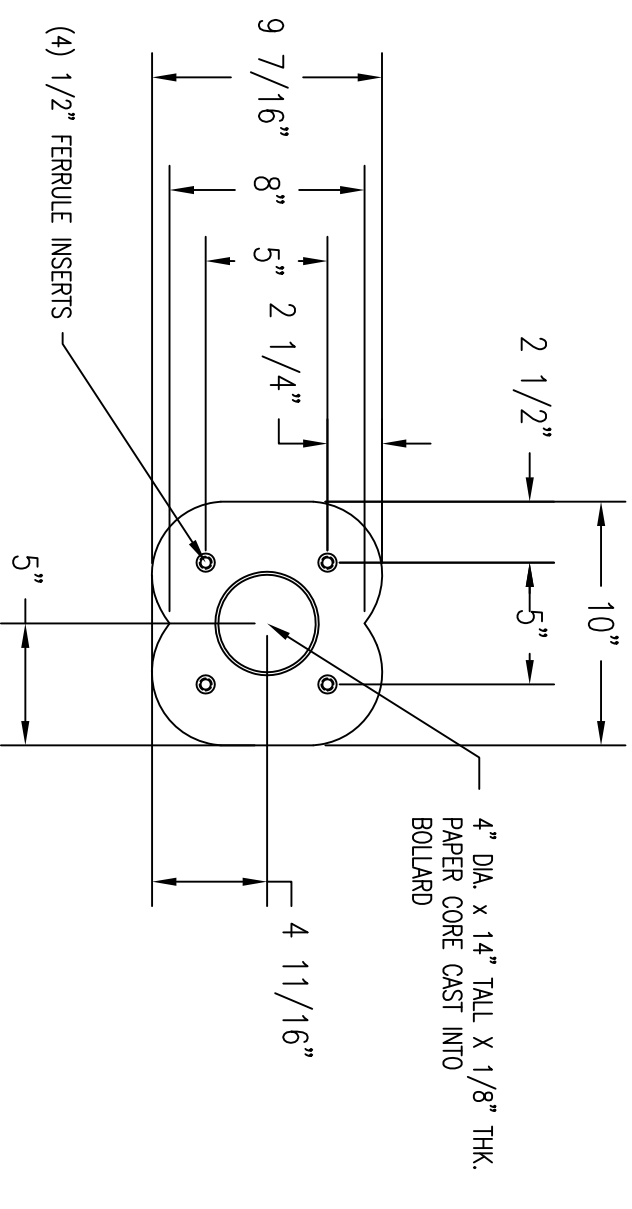
1 FRONT VIEW - FEMALE

Scale: 1-1/2" = 1'



2 BACK VIEW - FEMALE

Scale: 1-1/2" = 1'



2 BOTTOM VIEW - FEMALE

Scale: 1-1/2" = 1'

WAUSAU TILE SITE FURNISHINGS

P.O. BOX 1520 WAUSAU, WISCONSIN 54402-1520 800/388-8728
 E-MAIL: WTILE@WAUSAUTILE.COM
 WEB SITE: WWW.WAUSAUTILE.COM

REVISIONS				DRAWN BY		JOB		MATERIAL	
NO.	DATE	BY	NO.	DATE	AKG	LOCATION	WEIGHT	CONCRETE	
1	2/21/13	AKG	4				235 LBS		
2			5						
3			6						

JOB NO.		SCALE		UNLESS OTHERWISE SPECIFIED DIMENSIONS ARE IN INCHES TOLERANCES: ± 1/8"	
AKG		AS NOTED		DATE 2/6/13	
FINISH OPTIONS				ITEM NO. TF6316	
				DWG. NO.	