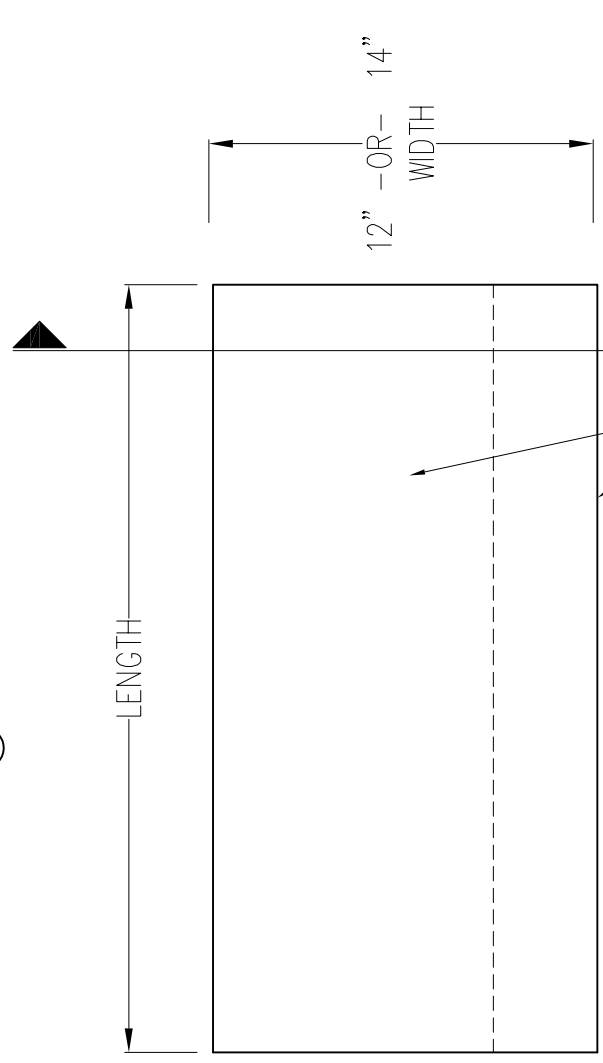


① SECTION



② TOP VIEW

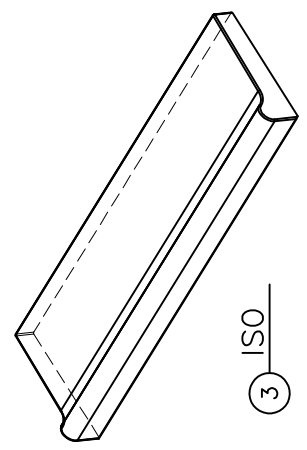
FINISH TOP & FRONT EDGE

DIMENSIONAL PARAMETERS:

INSTALL METHOD:

DESIGN OPTIONS:

COLORS/FINISH: ALL WT STANDARDS AVAILABLE;
CUSTOM AVAILABLE UPON REQUEST



③ ISO

SCALE: NOT TO SCALE



WAUSAU TILE

PRODUCT:

POOL COPING: SAFETY EDGE – FIBER REINFORCED

MATERIAL: PRECAST CONCRETE

P.O. BOX 1520 WAUSAU, WI 54402-1520
TOLL FREE: 800-389-8728
E-MAIL: WTILE@WAUSAUTILE.COM
WEBSITE: WWW.WAUSAUTILE.COM WEBSITE: WWW.TECTURADESIGN.COM

DRAWN BY: SKD

REV DATE: 01.04.21

FILE: -

CONFIDENTIAL INFORMATION
THESE DRAWING, SPECIFICATIONS AND OTHER INFORMATION AND DOCUMENTS ACCOMPANYING THEM ARE THE CONFIDENTIAL AND PROPRIETARY PROPERTY OF WAUSAU TILE, INC. THE DRAWINGS THEMSELVES SHALL BELONG TO THE OWNER FOR USE ONLY ON THE PROJECT. ANY ADDITIONAL USE SHALL REQUIRE THE PRIOR WRITTEN APPROVAL OF WAUSAU TILE, INC. THE PROPRIETARY INFORMATION CONTAINED WITHIN THE DRAWINGS AND THE DOCUMENTS IS AND SHALL REMAIN THE SOLE PROPERTY OF WAUSAU TILE, INC.

UNLESS OTHERWISE SPECIFIED
DIMENSIONS SHOWN IN INCHES AND ARE ROUNDED
TO THE CLOSEST FRACTION ± 1/16"
FABRICATION TOLERANCE: ± 1/8"