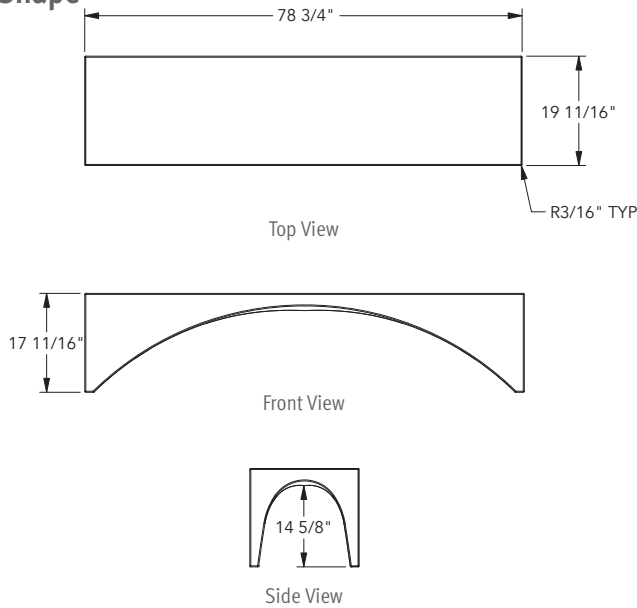


SALTA BENCH

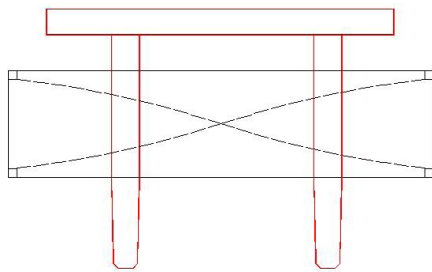
Elements	Length inch	Width inch	Height inch	Weight lbs/p
ZB.SL.01	78 3/4	19 11/16	17 11/16	633

! Special custom manufacturing. Order and delivery time on request

Shape



Handling



Designers



Bas Smets and Eliane Le Roux

Product description

Characteristics

- Prefabricated concrete element
- Finish:
 - > Ground & polished: a flat, smooth and polished surface with exposed rock and matrix
 - > Acid wash : a light acid etch finish with an even and flat texture across the entire surface
 - > Weatherstone : a sandblast finish exposing rock and giving a subtle texture and weathered look
- Hidden anchoring

Delivery information

- Delivery only on pallets

Project study information

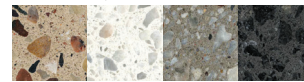
- Specific dimensions in custom manufacturing (only on order): on demand

Shipping fees

- On demand

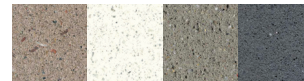
Colors*

Ground & polished



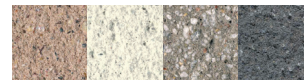
G22 G30 G33 G38

Acid wash



A22 A30 A33 A38

Weatherstone



W22 W30 W33 W38

* Additional colors available on WausauTile.com

