



# WAUSAU TILE

P.O. BOX 1520, WAUSAU, WI 54402-1520  
800-388-8728  
EMAIL: WTILE@WAUSAUTILE.COM  
WEBSITE: WWW.WAUSAUTILE.COM

### REVISIONS

BY	DATE	NOTE
1	-	-
2	-	-
3	-	-
4	-	-
5		

**CONFIDENTIAL INFORMATION**  
THESE DRAWINGS, SPECIFICATIONS AND OTHER INFORMATION AND DOCUMENTS ACCOMPANYING THEM ARE THE CONFIDENTIAL AND PROPRIETARY PROPERTY OF WAUSAU TILE, INC. THE DRAWINGS THEMSELVES SHALL BELONG TO THE OWNER FOR USE ONLY ON THE PROJECT. ANY ADDITIONAL USE SHALL REQUIRE THE PRIOR WRITTEN APPROVAL OF WAUSAU TILE, INC. THE PROPRIETARY INFORMATION CONTAINED WITHIN THE DRAWINGS AND THE DOCUMENTS IS AND SHALL REMAIN THE SOLE PROPERTY OF WAUSAU TILE, INC.

UNLESS OTHERWISE SPECIFIED DIMENSIONS SHOWN ARE ROUNDED TO THE CLOSEST FRACTION ± 1/16"

DRAWING SCALE: NOT TO SCALE

FABRICATION TOLERANCE: ± 1/8"

## ZB.TO.06

CUSTOMER SIGNATURE REQUIRED

APPROVED: \_\_\_\_\_

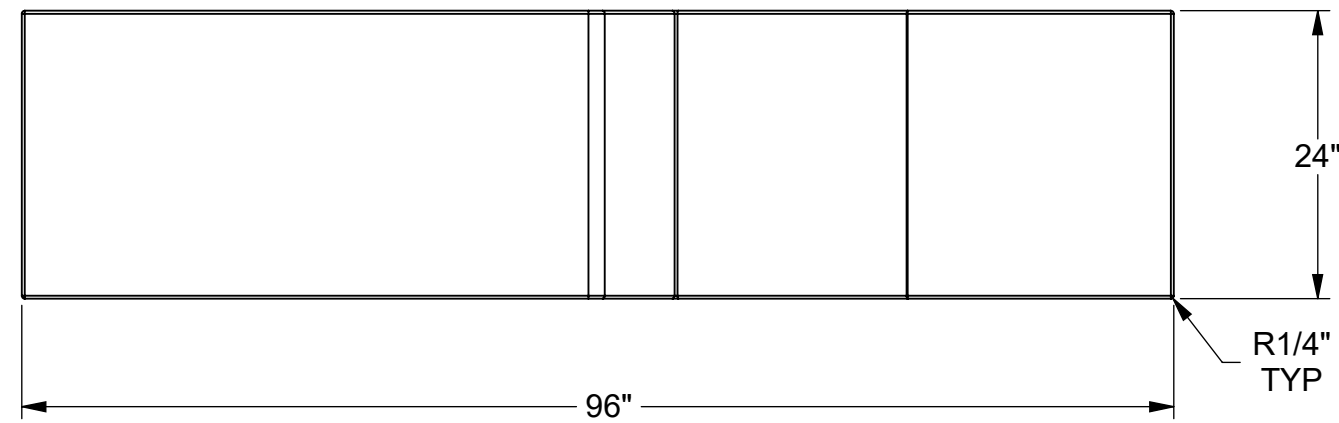
DATE: \_\_\_\_\_

(SIGNATURE ABOVE ILLUSTRATES YOU HAVE REVIEWED ALL ASPECTS OF THE DESIGN FOR ACCURACY AND COMPLIANCE WITH YOUR JOB REQUIREMENTS)  
DRAWN BY: APPROVED FOR FABRICATION AS REPRESENTED WITHIN THESE MDW DRAWINGS 2/8/2020

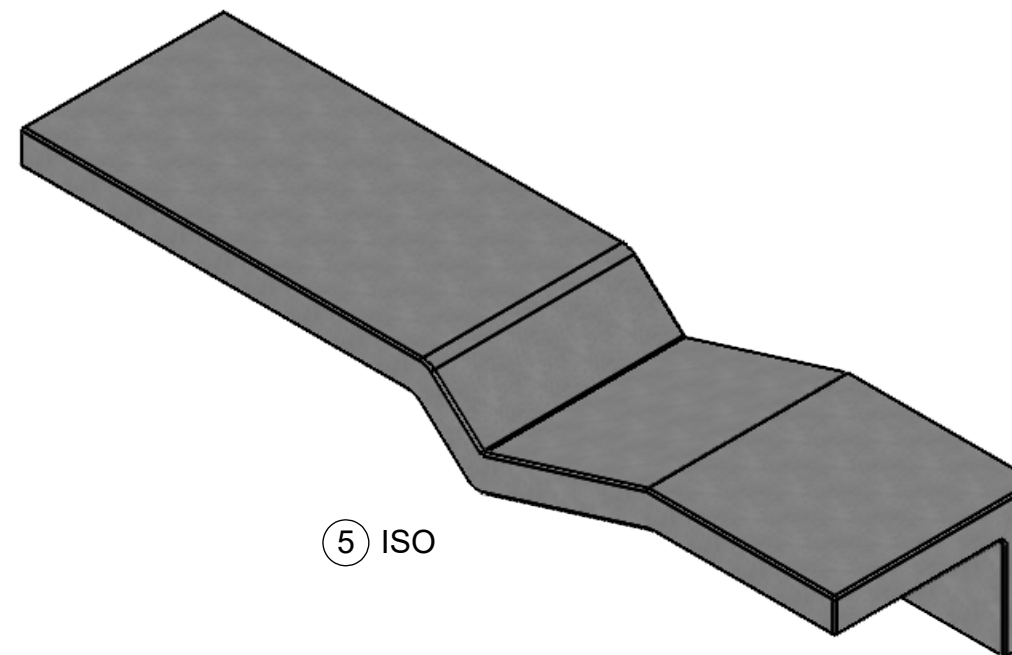
CO NUMBER: -

WEIGHT: # 1208

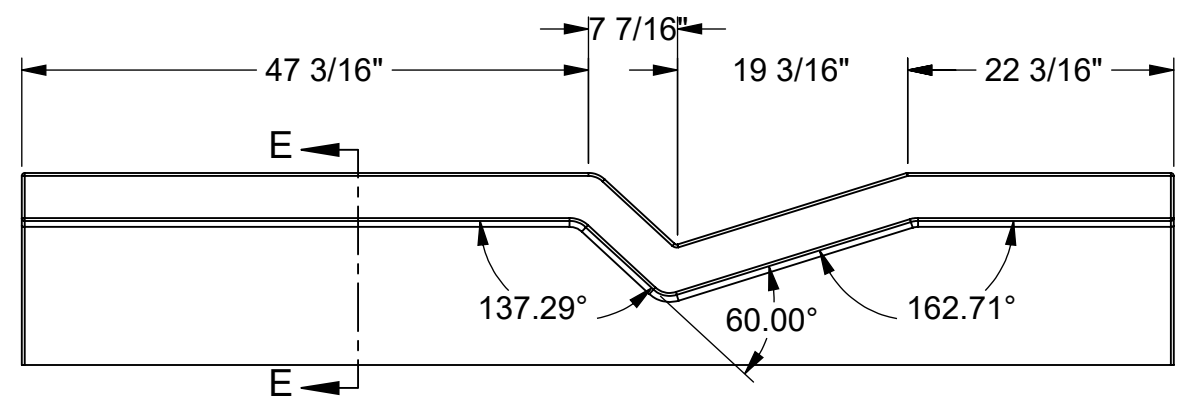
PRODUCT NUMBER:  
ZB.TO.06.WITHOUT.SEATS



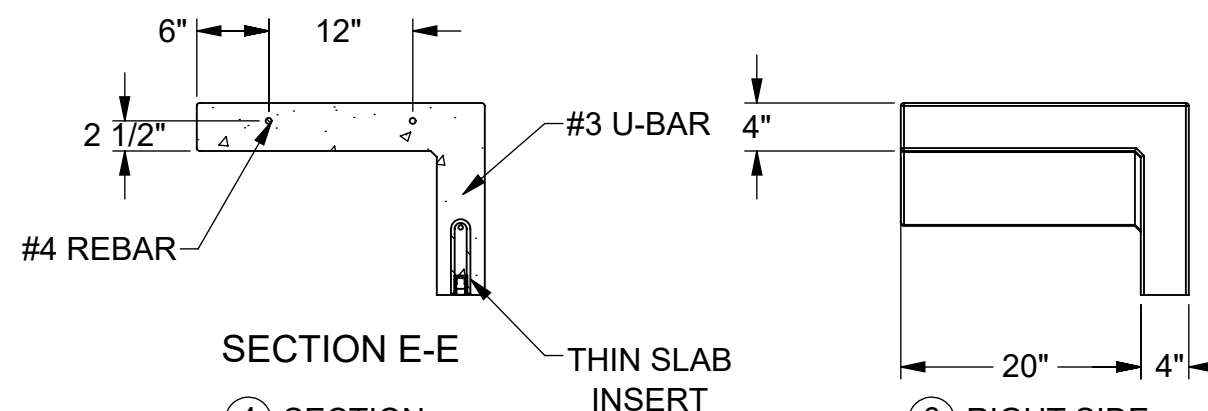
① TOP VIEW



⑤ ISO



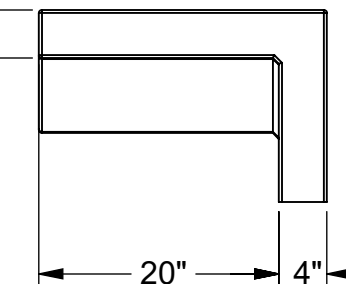
② FRONT VIEW



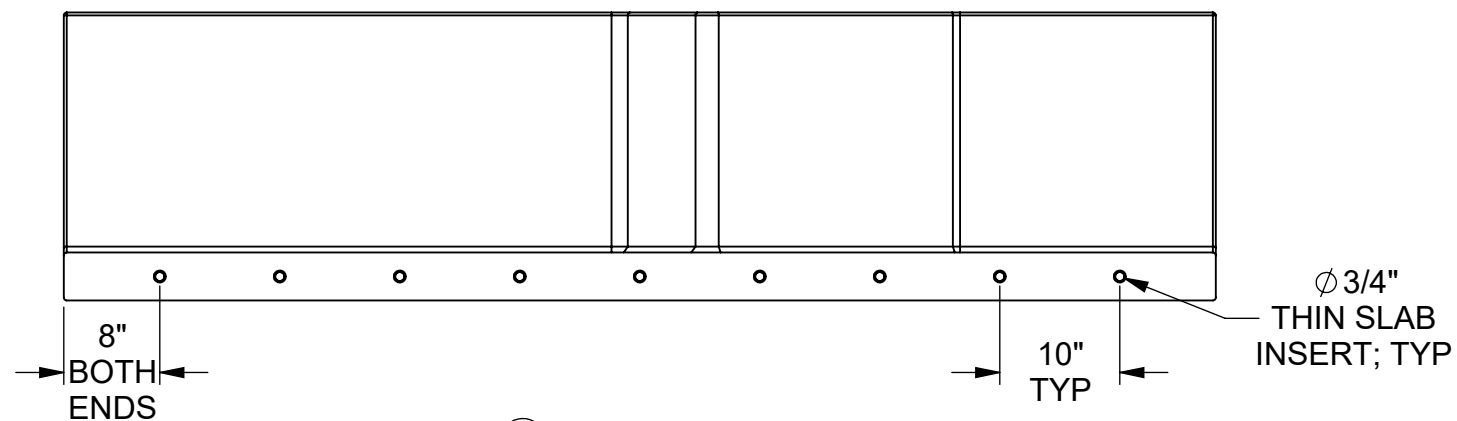
SECTION E-E

④ SECTION

#3 U-BAR  
THIN SLAB INSERT



⑥ RIGHT SIDE



③ BOTTOM VIEW

Ø 3/4"  
THIN SLAB  
INSERT; TYP

8"  
BOTH  
ENDS

10"  
TYP