



**WAUSAU TILE**

P.O. BOX 1520, WAUSAU, WI 54402-1520  
 800-388-8728  
 EMAIL: WTILE@WAUSAUTILE.COM  
 WEBSITE: WWW.WAUSAUTILE.COM

REVISIONS			
	BY	DATE	NOTE
1	-		-
2	-		-
3	-		-
4	-		-
5			

**CONFIDENTIAL INFORMATION**  
 THESE DRAWINGS, SPECIFICATIONS AND OTHER INFORMATION AND DOCUMENTS ACCOMPANYING THEM ARE THE CONFIDENTIAL AND PROPRIETARY PROPERTY OF WAUSAU TILE, INC. THE DRAWINGS THEMSELVES SHALL BELONG TO THE OWNER FOR USE ONLY ON THE PROJECT. ANY ADDITIONAL USE SHALL REQUIRE THE PRIOR WRITTEN APPROVAL OF WAUSAU TILE, INC. THE PROPRIETARY INFORMATION CONTAINED WITHIN THE DRAWINGS AND THE DOCUMENTS IS AND SHALL REMAIN THE SOLE PROPERTY OF WAUSAU TILE, INC.

UNLESS OTHERWISE SPECIFIED DIMENSIONS SHOWN ARE ROUNDED TO THE CLOSEST FRACTION ± 1/16"

DRAWING SCALE: NOT TO SCALE

FABRICATION TOLERANCE: ± 1/8"

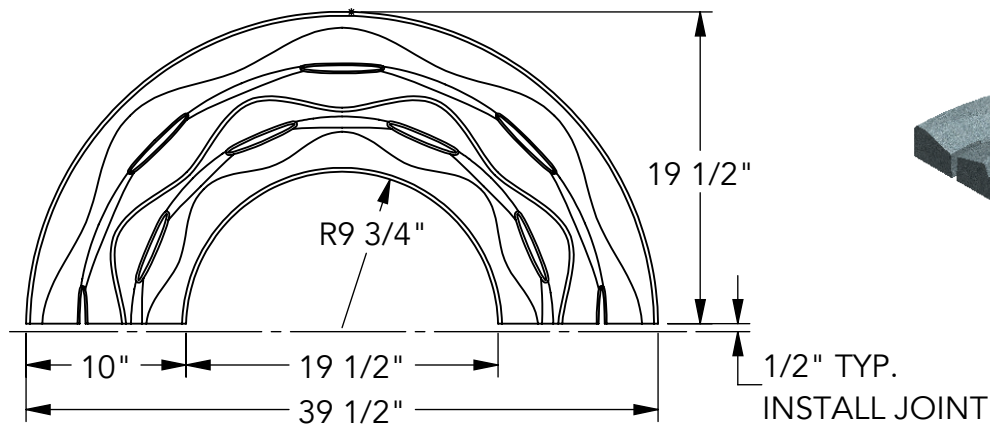
SAND

DRAWN BY:	DATE:
SKD	10/28/2020

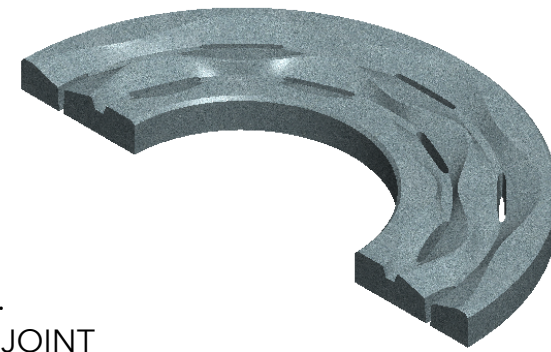
CO NUMBER: -

WEIGHT: 87 LBS

PRODUCT NUMBER: ZB.SA.01

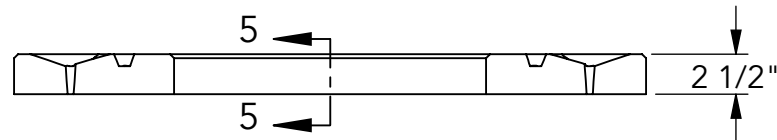


① TOP VIEW

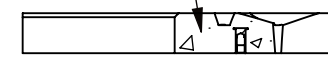


④ ISO

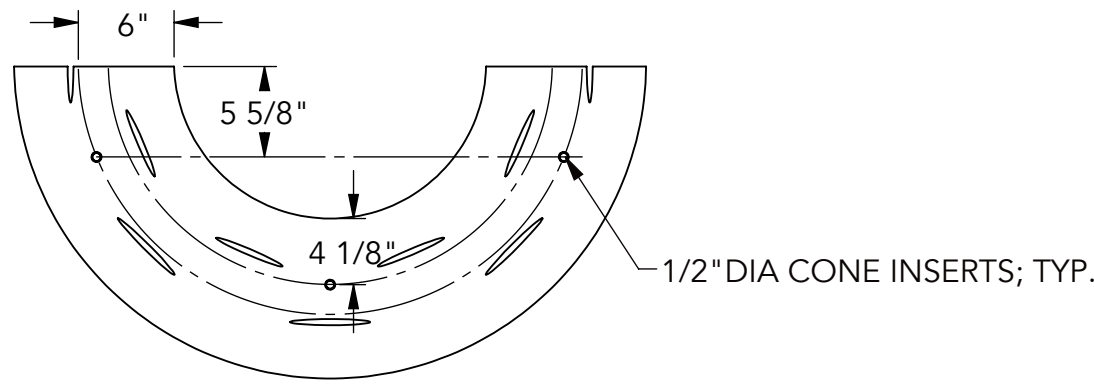
FIBER REINFORCED CONCRETE



② FRONT VIEW



⑤ SECTION



③ BOTTOM VIEW