



**WAUSAU TILE**

P.O. BOX 1520, WAUSAU, WI 54402-1520  
 800-388-8728  
 EMAIL: WTILE@WAUSAUTILE.COM  
 WEBSITE: WWW.WAUSAUTILE.COM

REVISIONS

	BY	DATE	NOTE
1	-		-
2	-		-
3	-		-
4	-		-
5			

**CONFIDENTIAL INFORMATION**

THESE DRAWINGS, SPECIFICATIONS AND OTHER INFORMATION AND DOCUMENTS ACCOMPANYING THEM ARE THE CONFIDENTIAL AND PROPRIETARY PROPERTY OF WAUSAU TILE, INC. THE DRAWINGS THEMSELVES SHALL BELONG TO THE OWNER FOR USE ONLY ON THE PROJECT. ANY ADDITIONAL USE SHALL REQUIRE THE PRIOR WRITTEN APPROVAL OF WAUSAU TILE, INC. THE PROPRIETARY INFORMATION CONTAINED WITHIN THE DRAWINGS AND THE DOCUMENTS IS AND SHALL REMAIN THE SOLE PROPERTY OF WAUSAU TILE, INC.

UNLESS OTHERWISE SPECIFIED DIMENSIONS SHOWN ARE ROUNDED TO THE CLOSEST FRACTION ± 1/16"

DRAWING SCALE: NOT TO SCALE

FABRICATION TOLERANCE: ± 1/8"

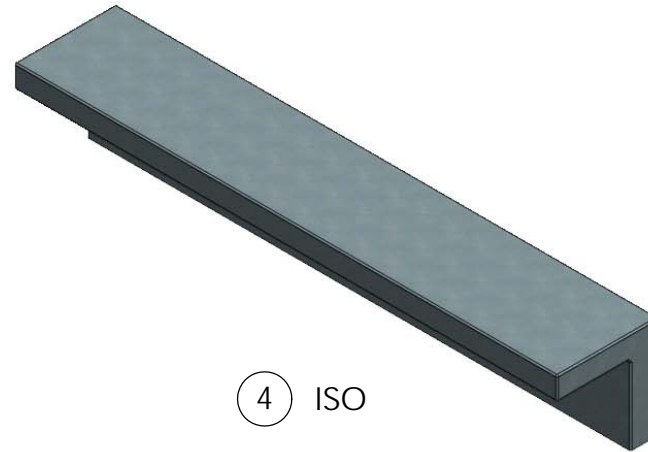
LED "L SHAPE"  
LONG

DRAWN BY: BMP DATE: 7/28/2022

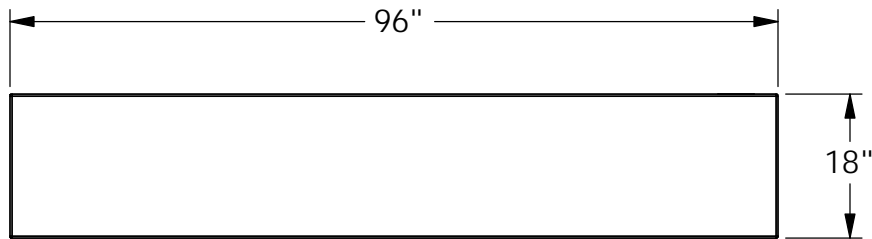
CO NUMBER: -

WEIGHT: 1184

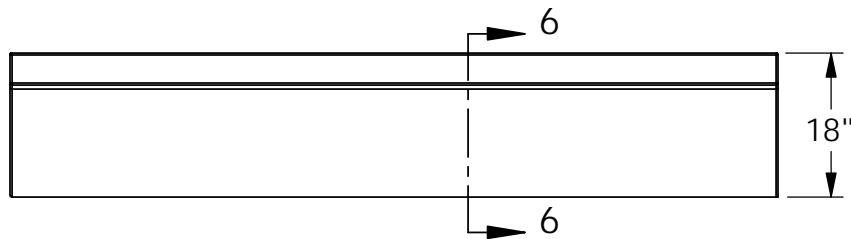
PRODUCT NUMBER: ZB.LE.04



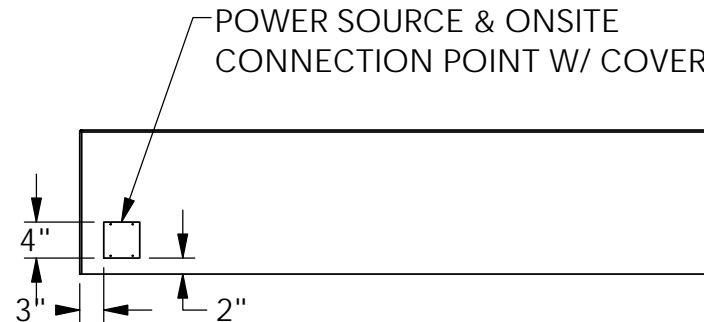
④ ISO



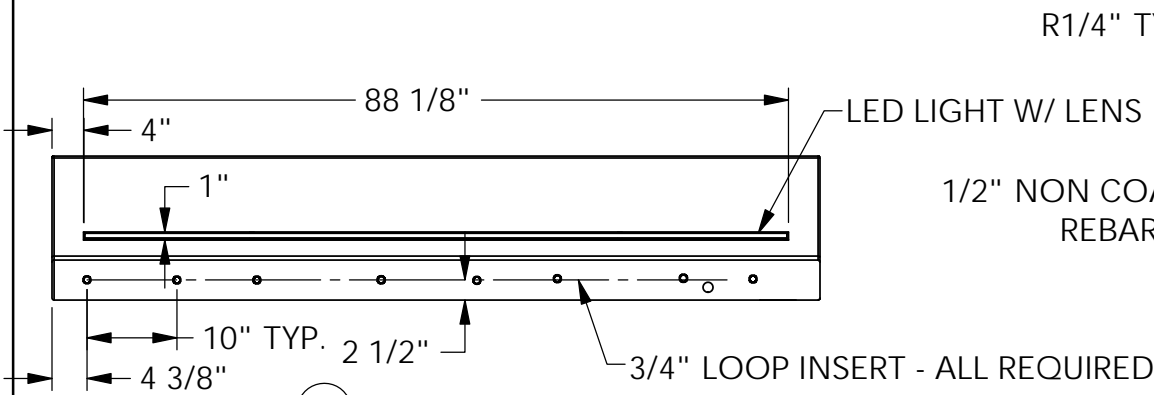
① TOP VIEW



② FRONT VIEW

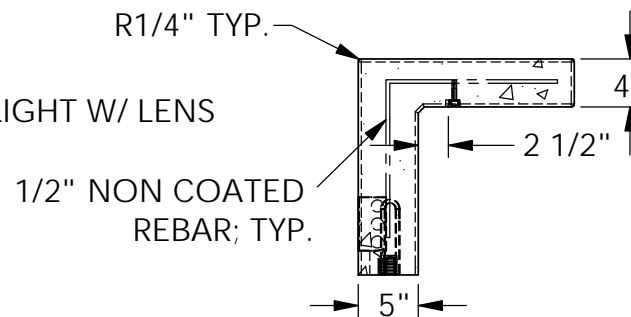


⑤ BACK VIEW



③ BOTTOM VIEW

3/4" LOOP INSERT - ALL REQUIRED FOR PIN INSTALL ONSITE



⑥ SECTION