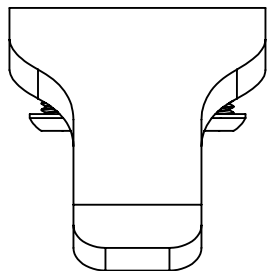
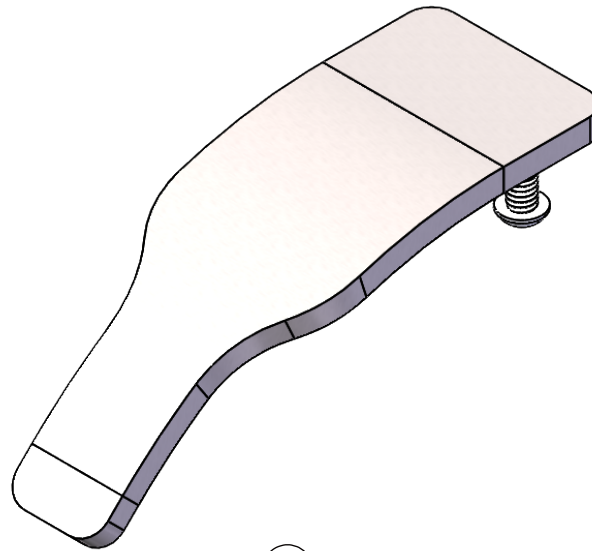


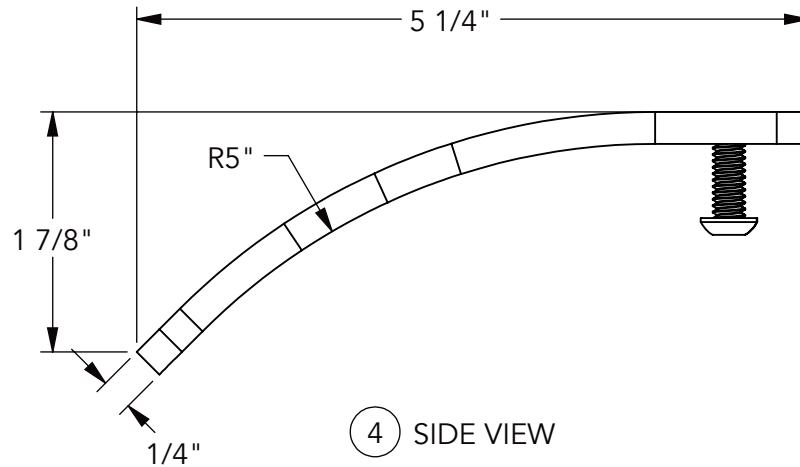
① TOP VIEW



② FRONT VIEW



③ ISO



④ SIDE VIEW



WAUSAU TILE

P.O. BOX 1520, WAUSAU, WI 54402-1520
 800-388-8728
 EMAIL: WTILE@WAUSAUTILE.COM
 WEBSITE: WWW.WAUSAUTILE.COM

REVISIONS

| | BY | DATE | NOTE |
|---|----|------|------|
| 1 | - | | - |
| 2 | - | | - |
| 3 | - | | - |
| 4 | - | | - |
| 5 | | | |

CONFIDENTIAL INFORMATION
 THESE DRAWINGS, SPECIFICATIONS AND OTHER INFORMATION AND DOCUMENTS ACCOMPANYING THEM ARE THE CONFIDENTIAL AND PROPRIETARY PROPERTY OF WAUSAU TILE, INC. THE DRAWINGS THEMSELVES SHALL BELONG TO THE OWNER FOR USE ONLY ON THE PROJECT. ANY ADDITIONAL USE SHALL REQUIRE THE PRIOR WRITTEN APPROVAL OF WAUSAU TILE, INC. THE PROPRIETARY INFORMATION CONTAINED WITHIN THE DRAWINGS AND THE DOCUMENTS IS AND SHALL REMAIN THE SOLE PROPERTY OF WAUSAU TILE, INC.

UNLESS OTHERWISE SPECIFIED
 DIMENSIONS SHOWN ARE
 ROUNDED TO THE CLOSEST
 FRACTION ± 1/16"

DRAWING SCALE: NOT TO SCALE

FABRICATION TOLERANCE: ± 1/8"

**SKATE STOP -
 NARROW R5"**

DRAWN BY: DLS DATE: 5/26/2020

CO NUMBER: -

WEIGHT: <1 LBS

PRODUCT NUMBER:

ZB.AC.11