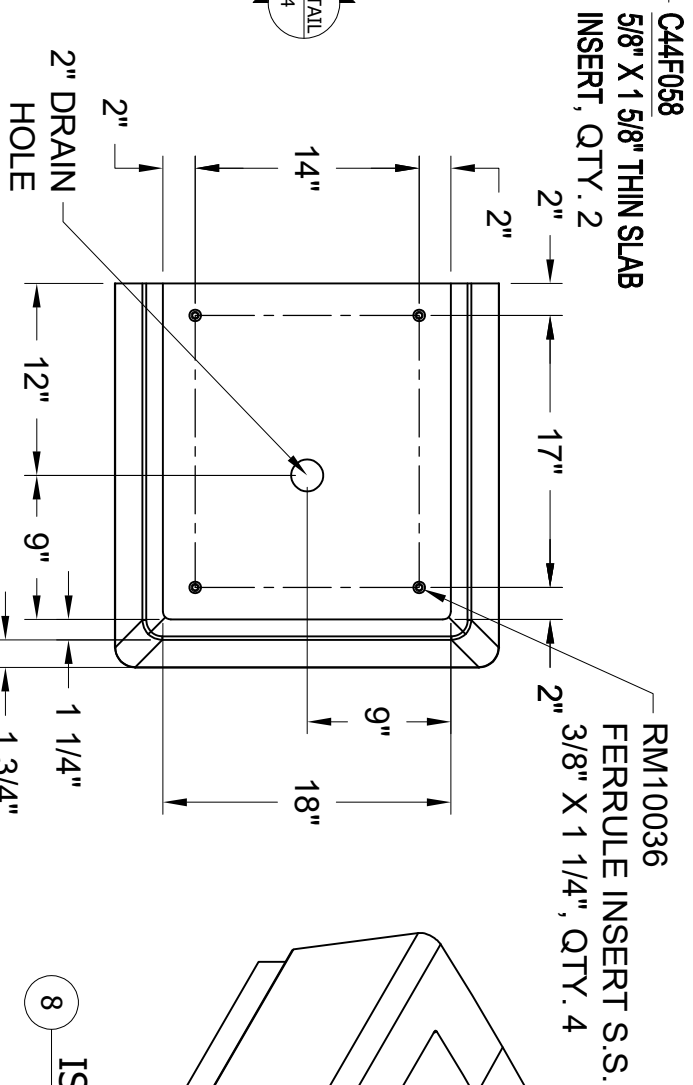
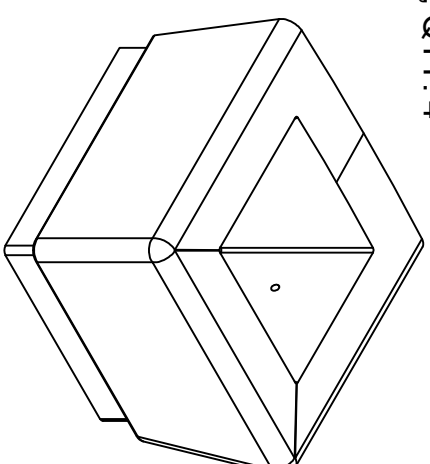


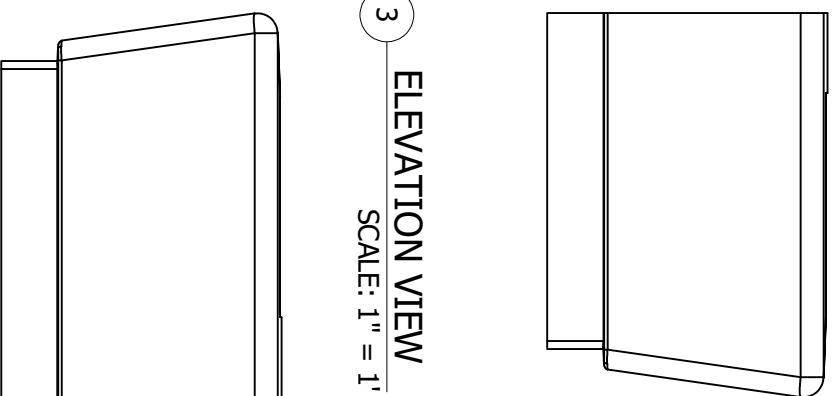
1 TOP VIEW
SCALE: 1" = 1'



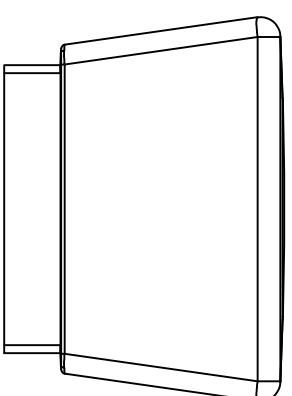
2 BOTTOM VIEW
SCALE: 1" = 1'



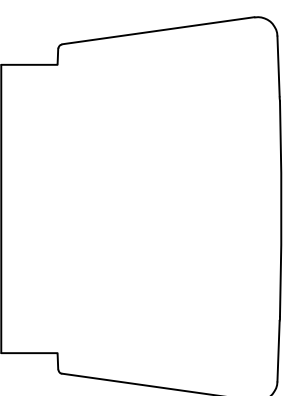
8 ISO
SCALE: 1" = 1'



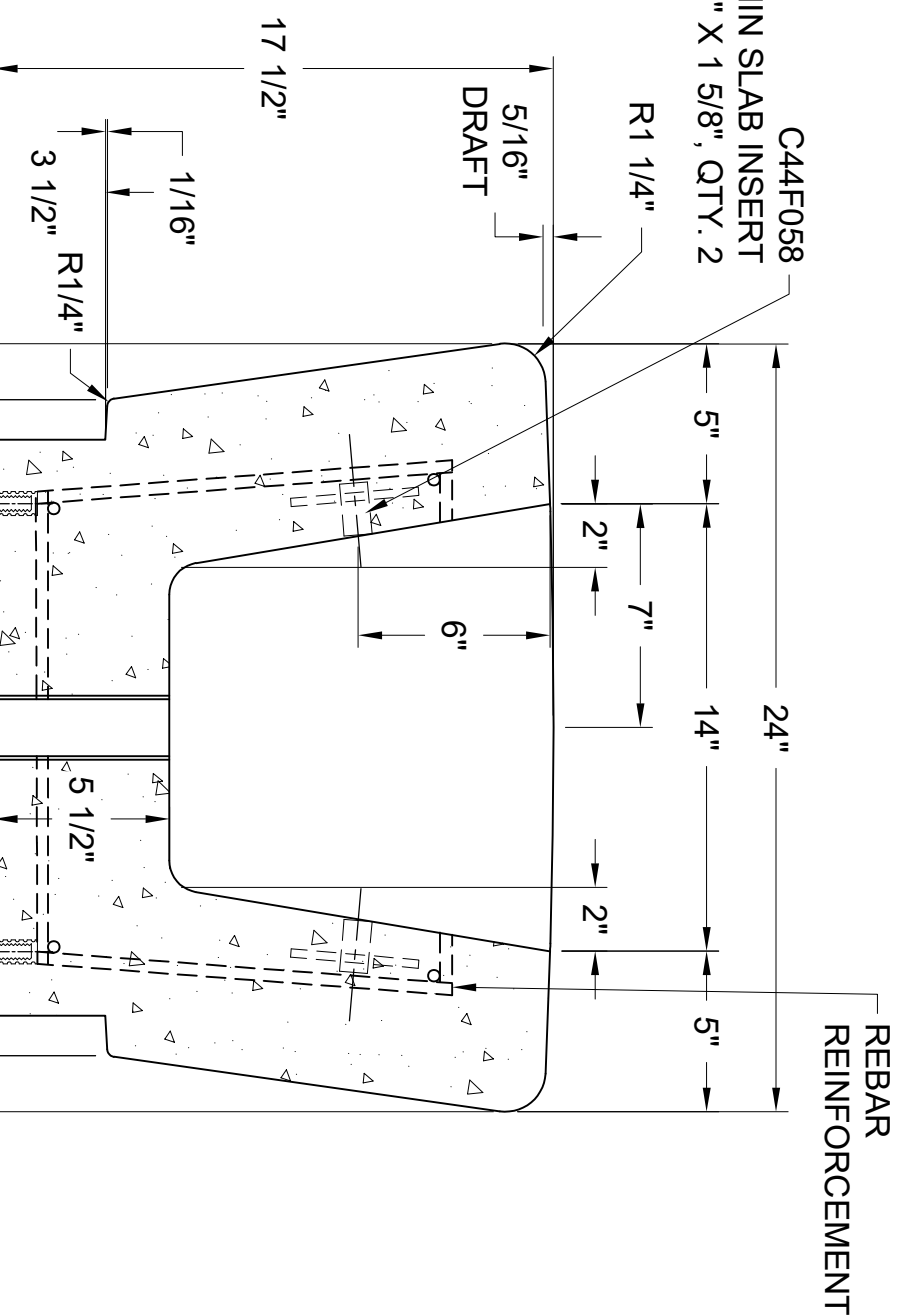
3 ELEVATION VIEW
SCALE: 1" = 1'




4 ELEVATION VIEW
SCALE: 1" = 1'



6 ELEVATION VIEW
SCALE: 1" = 1'



7 SECTION VIEW
SCALE: 2" = 1'


WAUSAU TILE
 P O BOX 1520 WAUSAU, WI 54402-1520
 800-388-8728
 E-MAIL: [WTILE@WAUSAUTILE.COM](mailto:wtile@wausautile.com)
 WEBSITE: WWW.WAUSAUTILE.COM

REVISIONS	
BY	DATE
1	
2	
3	
4	
5	

CONFIDENTIAL INFORMATION
 THESE DRAWING, SPECIFICATIONS AND
 OTHER INFORMATION AND DOCUMENTS
 ACCOMPANYING THEM ARE THE
 CONFIDENTIAL AND PROPRIETARY PROPERTY
 OF WAUSAU TILE, INC. THE DRAWINGS
 THEMSELVES SHALL BELONG TO THE OWNER
 FOR USE ONLY ON THE PROJECT. ANY
 ADDITIONAL USE SHALL REQUIRE THE PRIOR
 WRITTEN APPROVAL OF WAUSAU TILE, INC.
 THE PROPRIETARY INFORMATION CONTAINED
 WITHIN THE DRAWINGS AND THE DOCUMENTS
 IS AND SHALL REMAIN THE SOLE PROPERTY
 OF WAUSAU TILE, INC.

UNLESS OTHERWISE SPECIFIED
 DIMENSIONS SHOWN ARE
 ROUNDED TO THE CLOSEST
 FRACTION ± 1/16"

FABRICATION TOLERANCE: ± 1/8"

DRAWING SCALE: NOT TO SCALE

JOB NAME

CUSTOMER SIGNATURE REQUIRED

APPROVED: _____

DATE: _____

(SIGNATURE ABOVE ILLUSTRATES
 YOU HAVE REVIEWED ALL ASPECTS
 OF THE DESIGN AND APPROVE
 FABRICATION AS REPRESENTED
 WITHIN THESE DRAWINGS)

DRAWN BY: PW DATE: 9/12/25

STANDARD MOD DATE: --/--/--

PROJ MNGR: --

FINISH/COLOR: ----

SEALER: ----

WEIGHT (LBS): 670

CO NUMBER: CO -----

REFERENCE: WS9113