



# WAUSAU TILE

P.O. BOX 1520 WAUSAU, WI 54402-1520  
800-388-8728  
E-MAIL: WTILE@WAUSAUTILE.COM  
WEBSITE: WWW.WAUSAUTILE.COM

### REVISIONS

	BY	DATE	NOTES
1			
2			
3			
4			
5			

CONFIDENTIAL INFORMATION  
THESE DRAWING, SPECIFICATIONS AND  
OTHER INFORMATION AND DOCUMENTS  
ACCOMPANYING THEM ARE THE  
CONFIDENTIAL AND PROPRIETARY PROPERTY  
OF WAUSAU TILE, INC. THE DRAWINGS  
THEMSELVES SHALL BELONG TO THE OWNER  
FOR USE ONLY ON THE PROJECT. ANY  
ADDITIONAL USE SHALL REQUIRE THE PRIOR  
WRITTEN APPROVAL OF WAUSAU TILE, INC.  
THE PROPRIETARY INFORMATION CONTAINED  
WITHIN THE DRAWINGS AND THE DOCUMENTS  
IS AND SHALL REMAIN THE SOLE PROPERTY  
OF WAUSAU TILE, INC

UNLESS OTHERWISE SPECIFIED  
DIMENSIONS SHOWN ARE  
ROUNDED TO THE CLOSEST  
FRACTION ± 1/16"

FABRICATION TOLERANCE: ± 1/8"

DRAWING SCALE: NOT TO SCALE

## JOB NAME

CUSTOMER SIGNATURE REQUIRED

APPROVED: \_\_\_\_\_

DATE: \_\_\_\_\_

(SIGNATURE ABOVE ILLUSTRATES  
YOU HAVE REVIEWED ALL ASPECTS  
OF THE DESIGN AND APPROVE  
FABRICATION AS REPRESENTED  
WITHIN THESE DRAWINGS)

DRAWN BY: PW DATE: 9/12/25

STANDARD MOD. DATE: --/--/-- --

PROJ MNGR: --

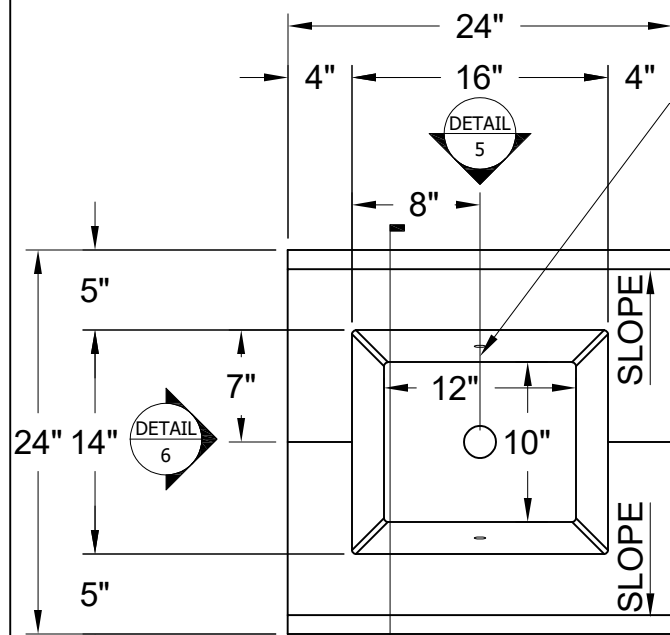
FINISH/COLOR/ SEALER: ----

WEIGHT (LBS): 740

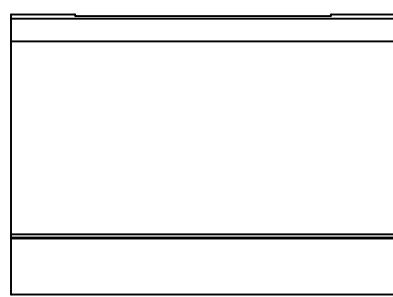
CO NUMBER: CO -----

REFERENCE: WS9033

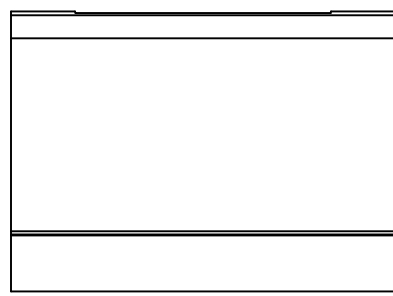
LIFTING INSERTS TO BE USED  
ONLY WHEN PLANTER IS EMPTY



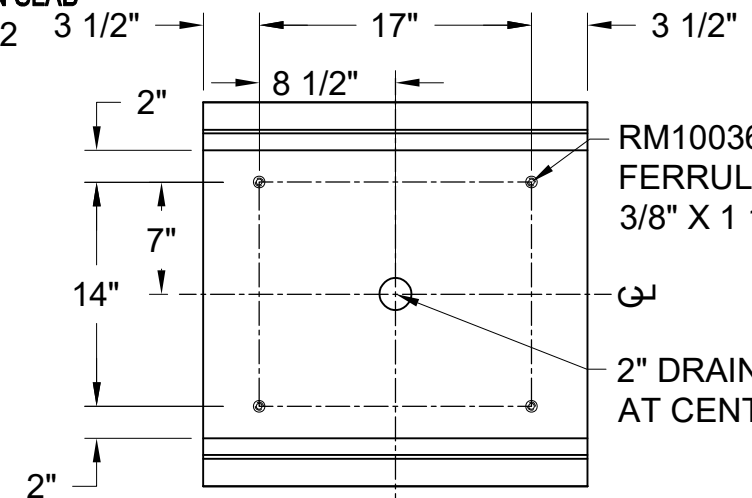
1 TOP VIEW  
SCALE: 1" = 1'



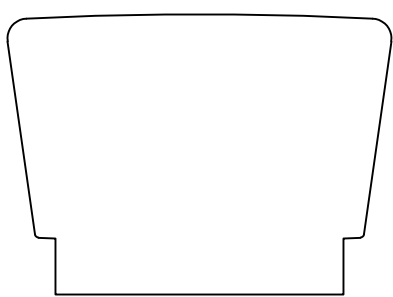
3 FRONT ELEVATION  
SCALE: 1" = 1'



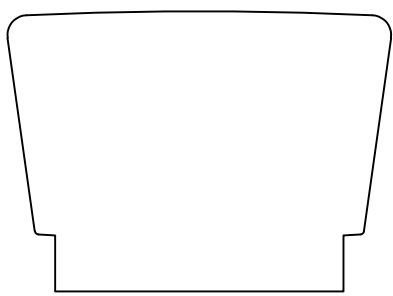
5 BACK ELEVATION  
SCALE: 1" = 1'



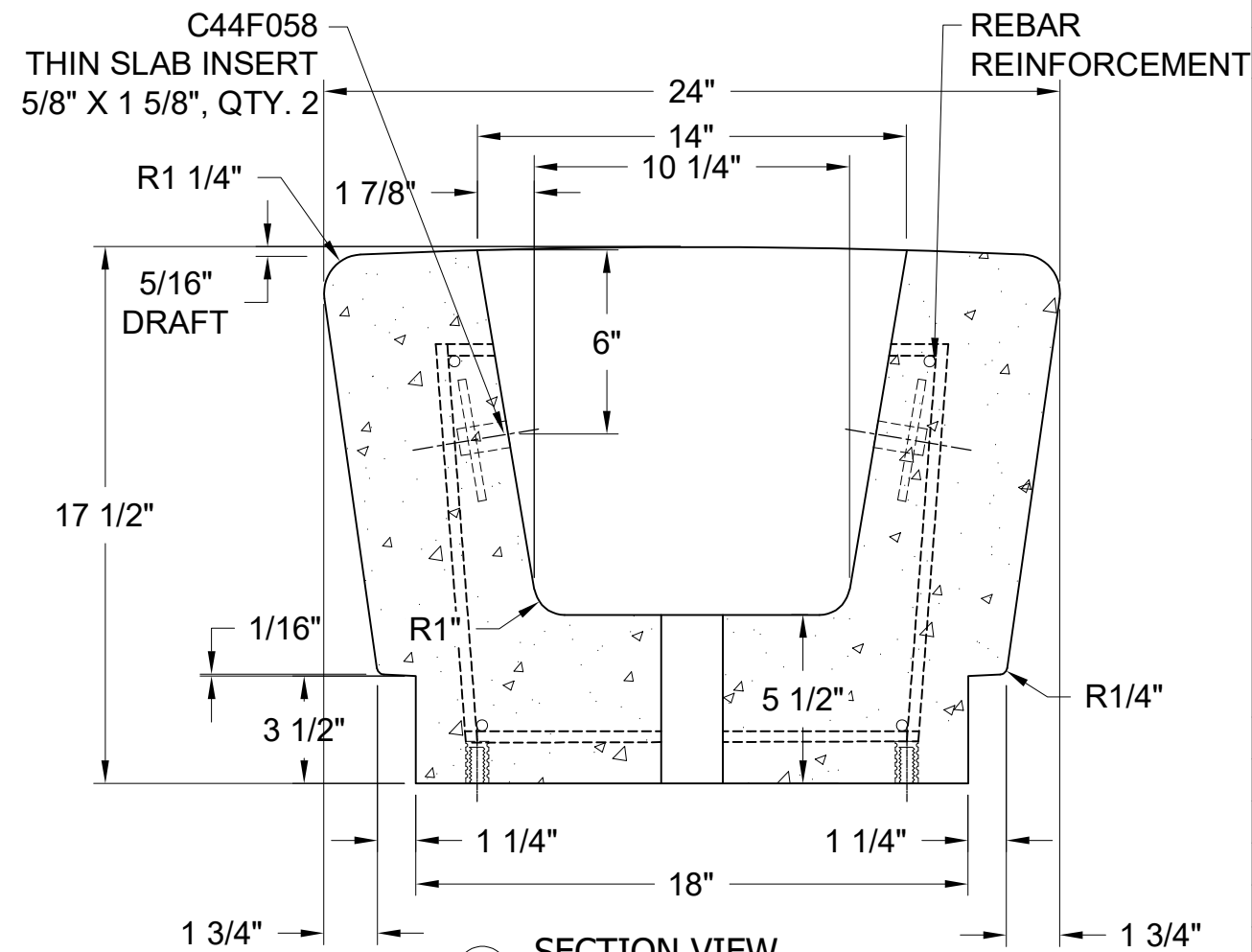
2 BOTTOM VIEW  
SCALE: 1" = 1'



4 RIGHT ELEVATION  
SCALE: 1" = 1'



6 LEFT ELEVATION  
SCALE: 1" = 1'



7 SECTION VIEW  
SCALE: 2" = 1'