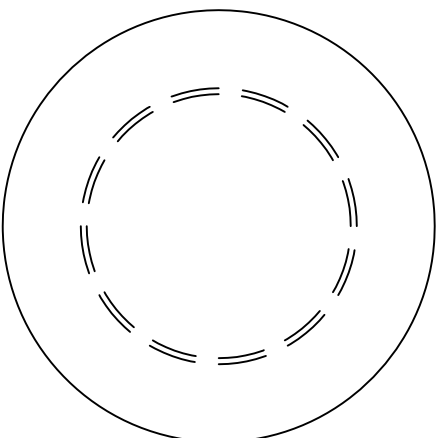
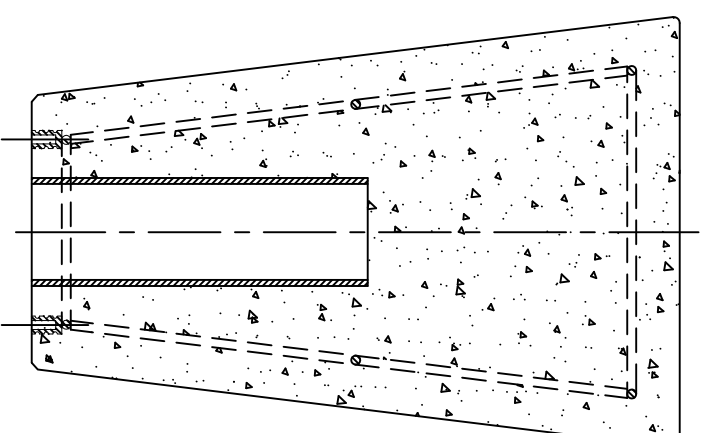
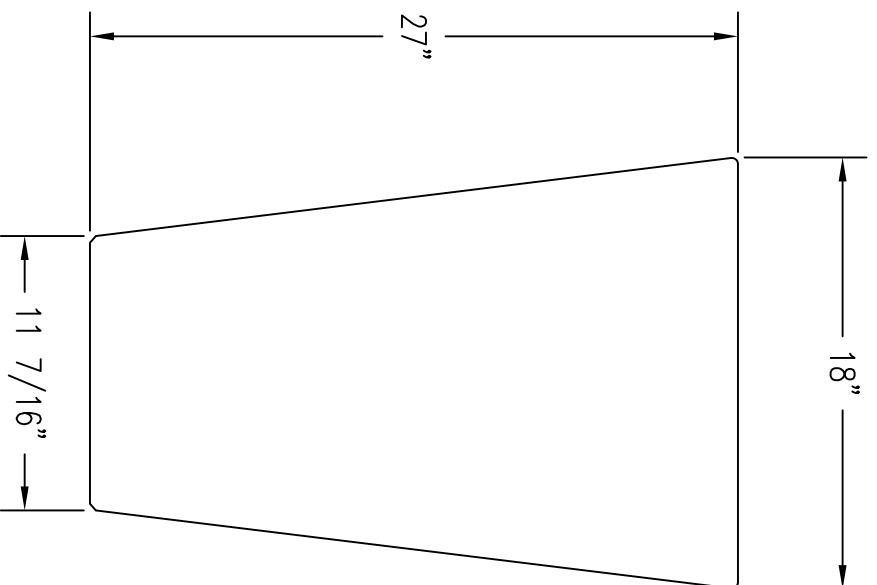


REVISIONS	
NAME	DATE
1	
2	
3	
4	
5	
6	
7	
8	

CONFIDENTIAL INFORMATION
 THESE DRAWINGS, SPECIFICATIONS AND
 OTHER INFORMATION AND DOCUMENTS
 ACCOMPANYING THEM ARE THE
 CONFIDENTIAL AND PROPRIETARY PROPERTY
 OF WAUSAU TILE, INC. THE DRAWINGS
 THEMSELVES SHALL BELONG TO THE
 OWNER FOR USE ONLY ON THE PROJECT.
 ANY ADDITIONAL USE SHALL REQUIRE THE
 PRIOR WRITTEN APPROVAL OF WAUSAU TILE,
 INC. THE PROPRIETARY INFORMATION
 CONTAINED WITHIN THE DRAWINGS AND THE
 DOCUMENTS IS AND SHALL REMAIN THE
 SOLE PROPERTY OF WAUSAU TILE, INC.

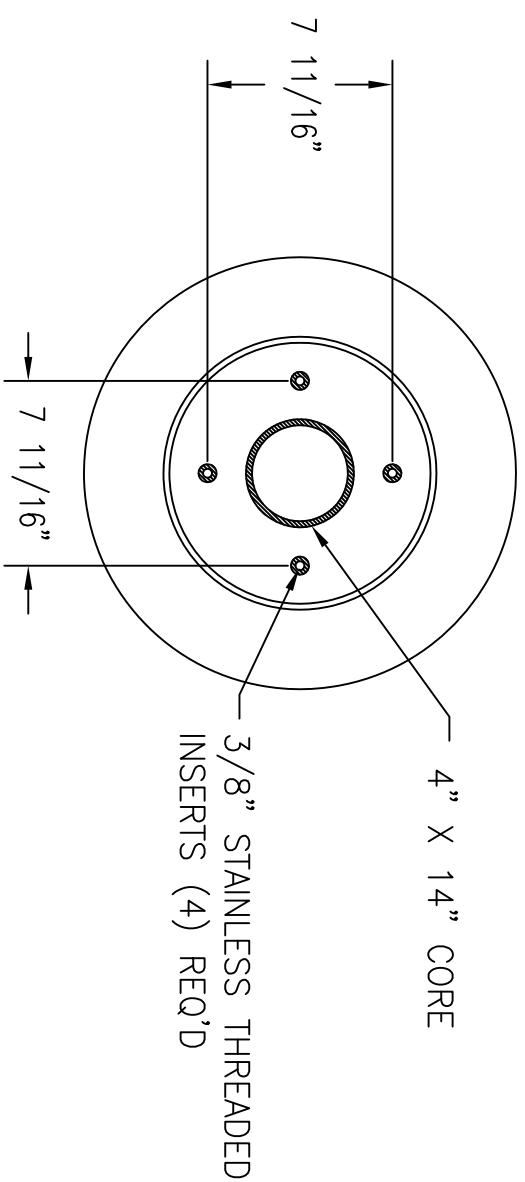


1 TOP VIEW



2 ELEVATION VIEW

4 CROSS SECTION



3 BOTTOM VIEW

JOB NAME
 ADDRESS
 CITY, STATE ZIP

UNLESS OTHERWISE SPECIFIED
 DIMENSIONS ARE IN INCHES
 FRACTIONS 1/8"

DRAWN BY: TJS
DATE: 6/28/17
CO NUMBER: ?
WEIGHT: 425 LBS

PRODUCT NO.
WS605