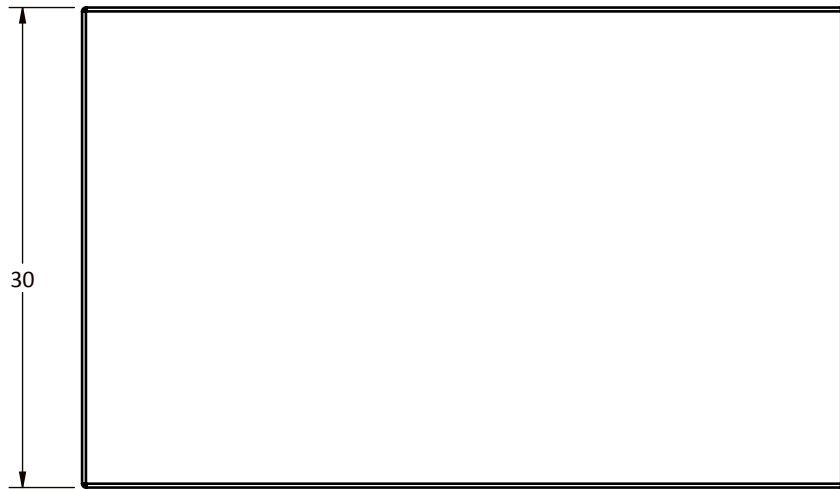
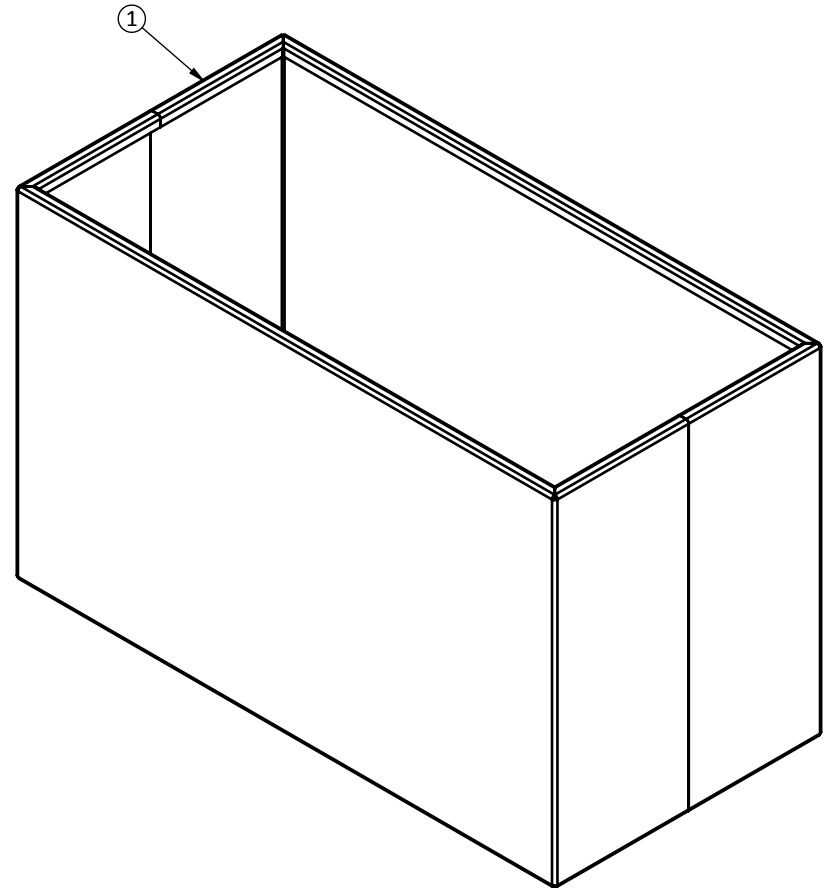
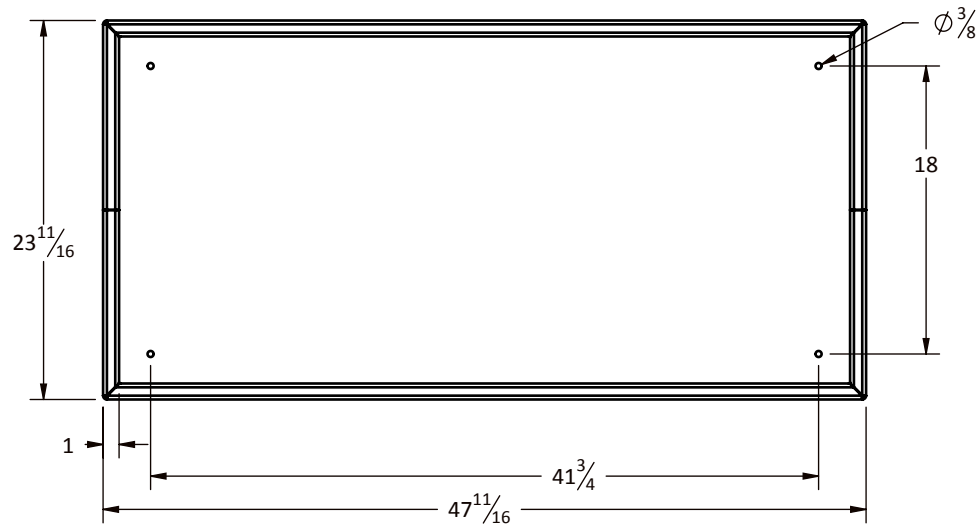


ITEM	PART NUM	DESCRIPTION	QTY
1	800874	ASSY BOX	1



P: 800.388.8728 | E: wtile@wausautile.com | WAUSAUTILE.COM  
P.O. Box 1520, Wausau, WI 54402-1520

05.2020

REVISIONS	NO.	ECN	BY	NO.	ECN	BY
	1			4		
	2			5		
	3			6		

DRAWN BY: DLS DATE: 06-26-2014

UNLESS OTHERWISE SPECIFIED  
DIMENSIONS ARE IN INCHES

TOLERANCE: ANGLE  $\pm 0.5^\circ$   
DIM: 2-PL  $\pm 0.01$  3-PL  $\pm 0.05$

MATERIAL: SCALE: 1:12 WEIGHT: FINISH:

TITLE: 2' X 4' PLANTER

NUMBER: WS-510