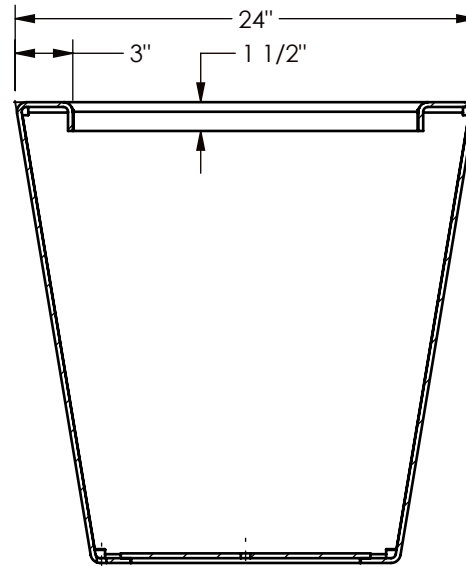
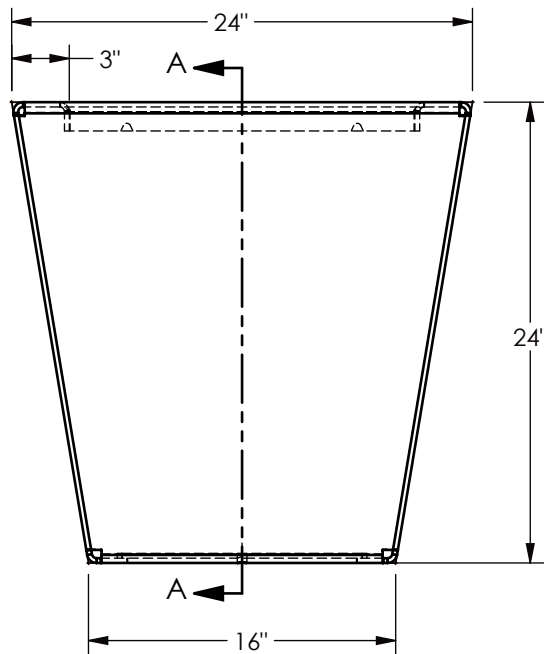
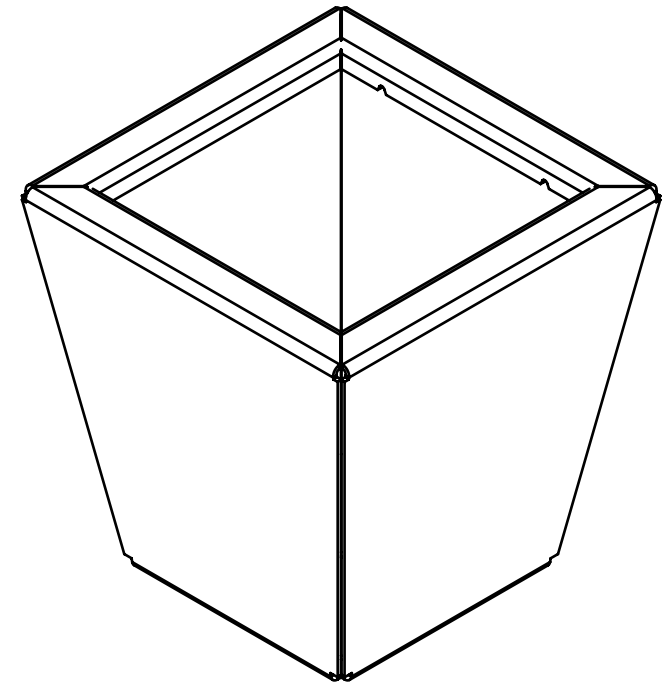
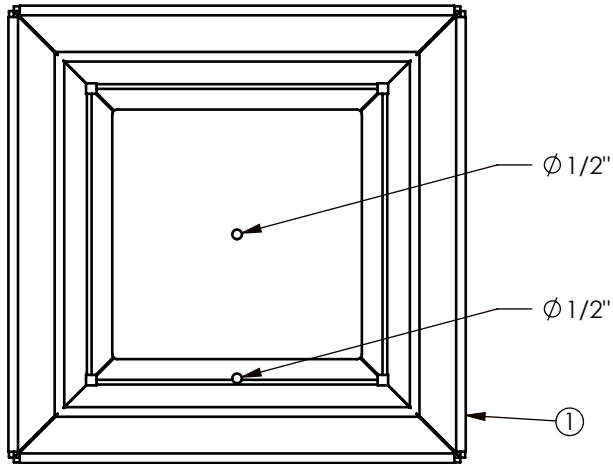


ITEM NO.	PART NUMBER	DESCRIPTION	QTY.
1	800595	ALUM PLANTER 24 X 24	1



SECTION A-A

- MATERIAL 1/4" 5052 ALUM

PRICING INCULDES POWDERING COATING WITH A SUPER DURABLE TGIC FREE, IN A WAUSAU SELECT STANDARD COLOR.

WAUSAU TILE SITE FURNISHINGS P.O. BOX 1520, WAUSAU, WI 54402
P.O. BOX 967, BANNING, CA 92220

REVISIONS						DRAWN BY	DATE	UNLESS OTHERWISE SPECIFIED DIMENSIONS ARE IN INCHES ANGLE ±0.5° 2-PL ±0.01 3-PL ±.005	WEIGHT
NO.	DATE	BY	NO.	DATE	BY	DLS	06-11-2013		SCALE
1			4			MATERIAL		FINISH	
2			5			TITLE		NUMBER	
3			6			ALUMINUM PLANTER 24 SQ X 24 H		WS-502	