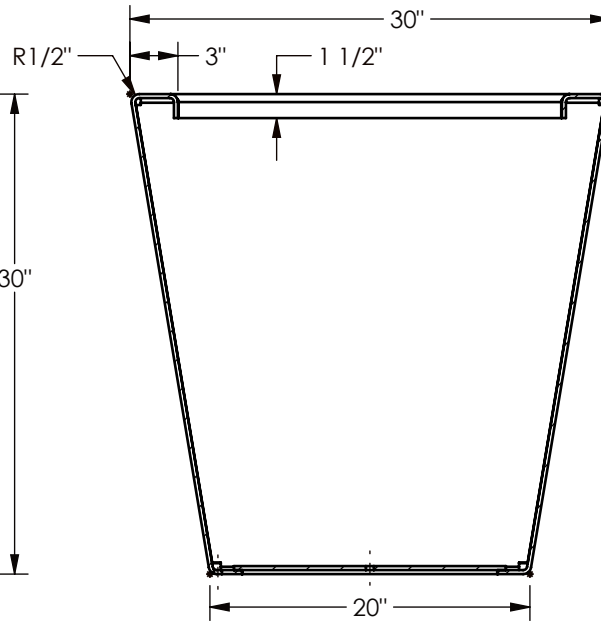
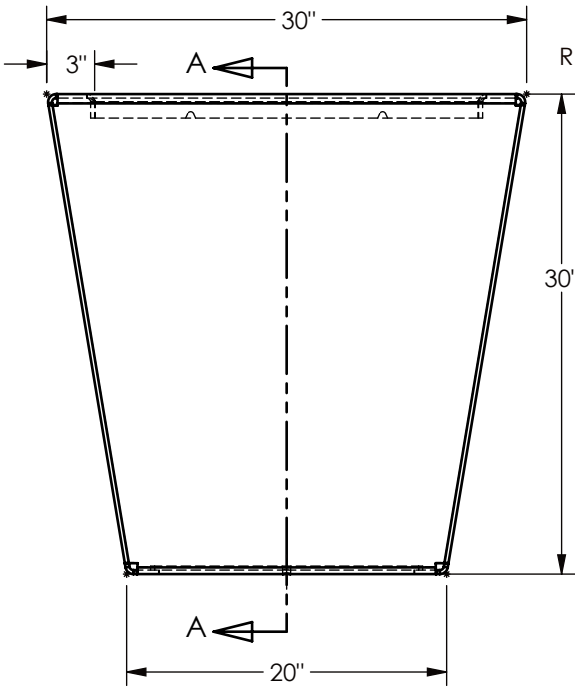
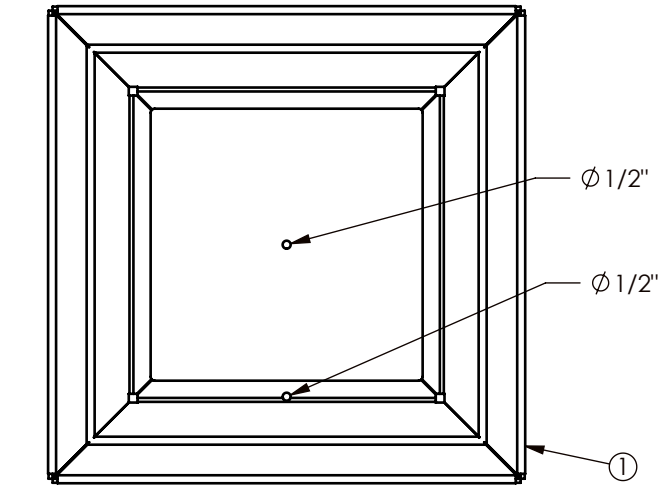
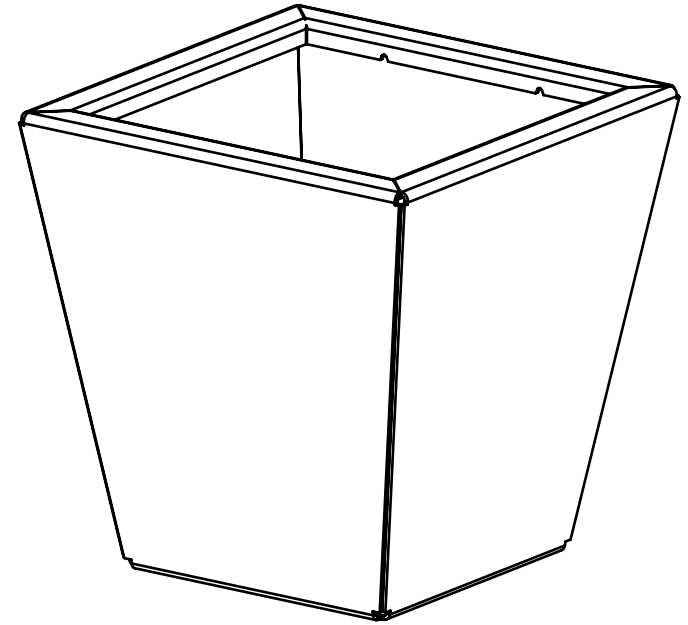


ITEM NO.	PART NUMBER	DESCRIPTION	QTY.
1	800594	ALUM PLANTER 30 X 30	1



SECTION A-A



- MATERIAL 1/4" 5052 ALUM

PRICING INCLUDES POWDERING COATING WITH A SUPER DURABLE TGIC FREE, IN A WAUSAU SELECT STANDARD COLOR.

WAUSAU TILE SITE FURNISHINGS P.O. BOX 1520, WAUSAU, WI 54402
P.O. BOX 967, BANNING, CA 92220

REVISIONS						DRAWN BY	DATE	UNLESS OTHERWISE SPECIFIED DIMENSIONS ARE IN INCHES ANGLE $\pm 0.5^\circ$ 2-PL ± 0.01 3-PL ± 0.005	WEIGHT
NO.	DATE	BY	NO.	DATE	BY	DLS	01-15-2013		SCALE
1			4			MATERIAL		1:12	
2			5			TITLE		FINISH	
3			6			ALUMINUM PLANTER 30 SQ X 20 X 30 H		NUMBER	
									WS-501