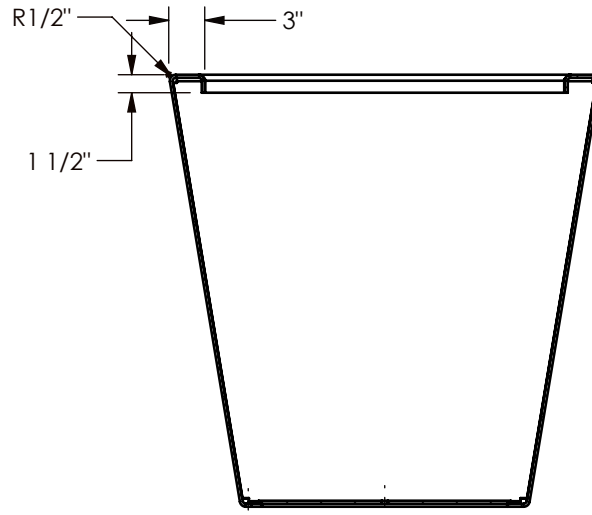
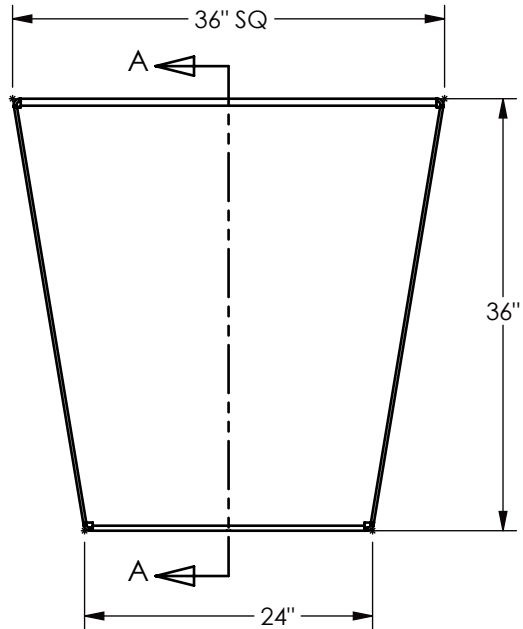
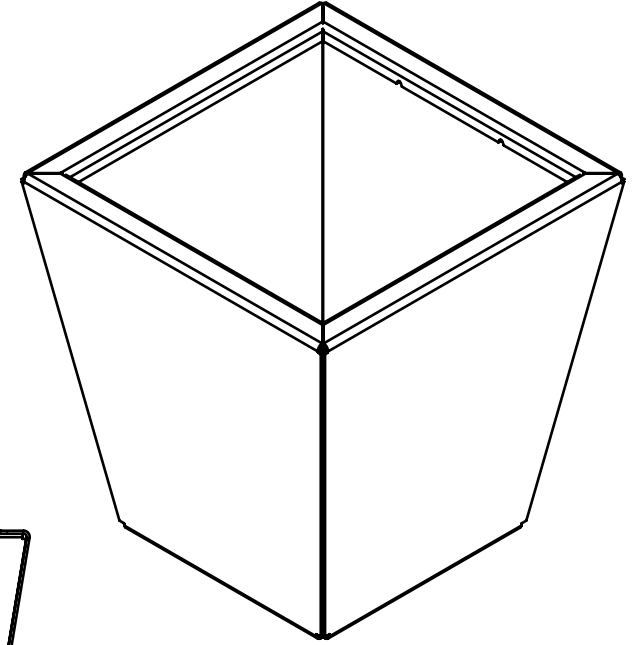
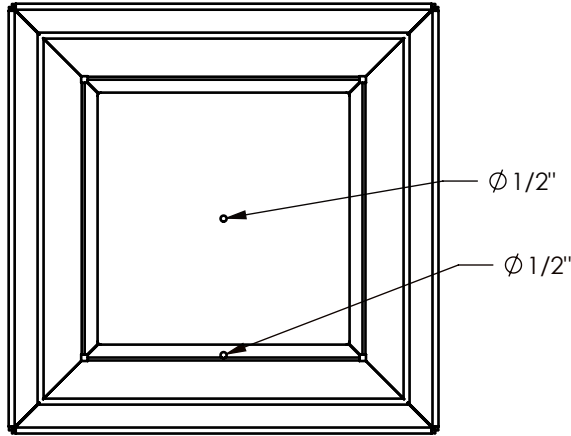


ITEM NO.	PART NUMBER	DESCRIPTION	QTY.
1	800559	WELDMNT, 36 SQ X 24 X 36 HIGH	1



SECTION A-A

- MATERIAL 1/4" 5052 ALUM

PRICING INCULDES POWDERING COATING WITH A SUPER DURABLE TGIC FREE, IN A WAUSAU SELECT STANDARD COLOR.

**WAUSAU TILE SITE FURNISHINGS** P.O. BOX 1520, WAUSAU, WI 54402  
P.O. BOX 967, BANNING, CA 92220

REVISIONS						DRAWN BY	DATE	UNLESS OTHERWISE SPECIFIED DIMENSIONS ARE IN INCHES ANGLE ±0.5° 2-PL ±0.01 3-PL ±.005	WEIGHT
NO.	DATE	BY	NO.	DATE	BY	DLS	02-25-2013		SCALE
1			4			MATERIAL		FINISH	
2			5			TITLE		NUMBER	
3			6			<b>ALUM PLANTER 36 SQ X 24 X 36 HIGH</b>		<b>WS-500</b>	