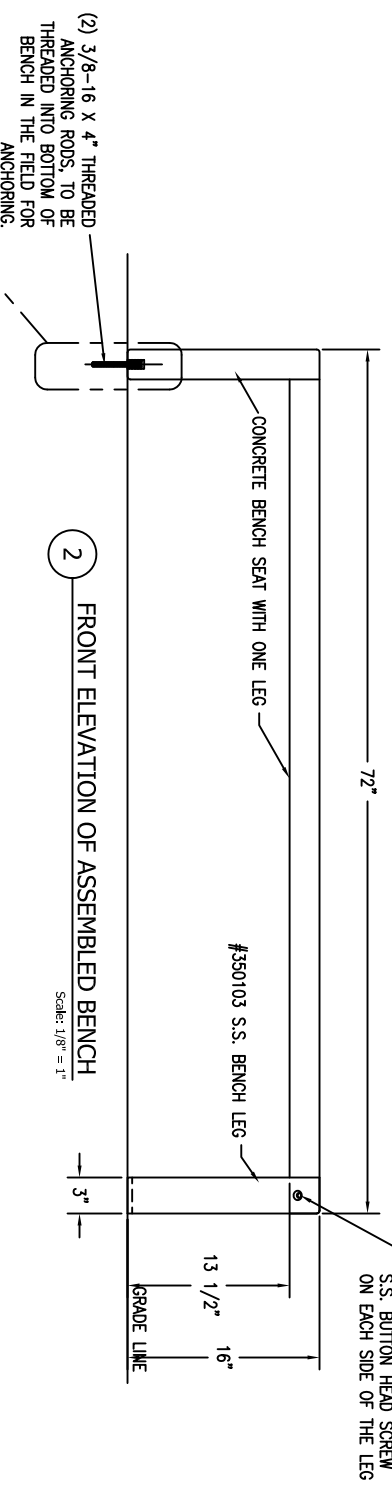
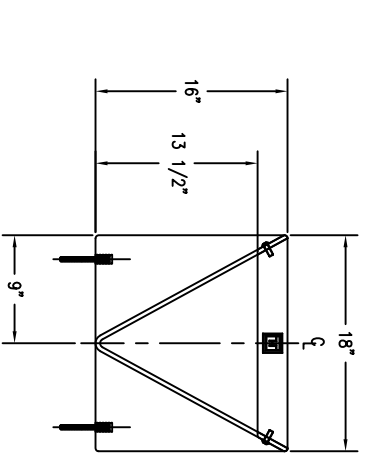


1 TOP VIEW OF ASSEMBLED BENCH
Scale: 1/8" = 1"

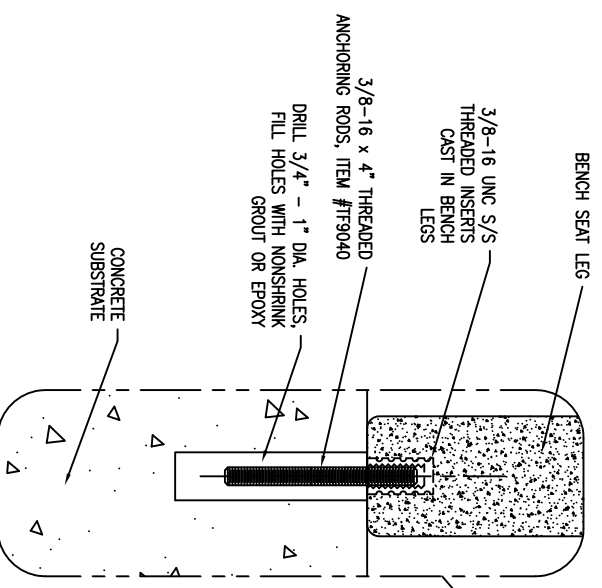
PARTS SCHEDULE FOR WS-312 BENCH			
ITEM #	DESCRIPTION	QTY	PART NO.
1	CONCRETE BENCH SEAT WITH 1 LEG	1	
2	STAINLESS STEEL LEG	1	350103
3	3/8x16 - 1" LONG S.S. BUTTON HEAD SCREW	2	1173815
4	3/8-16 X 4" ANCHORING RODS	2	TF9040



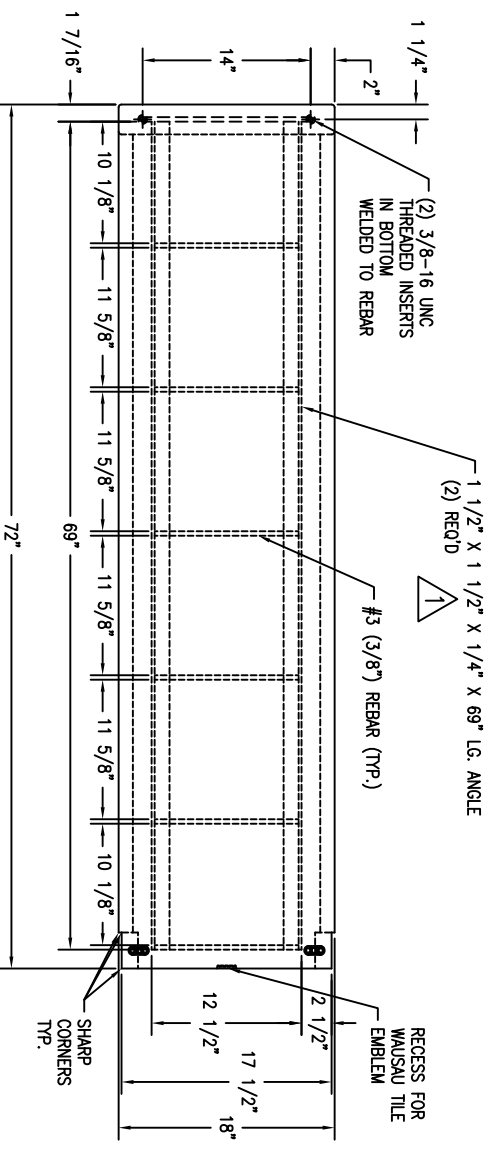
2 FRONT ELEVATION OF ASSEMBLED BENCH
Scale: 1/8" = 1"



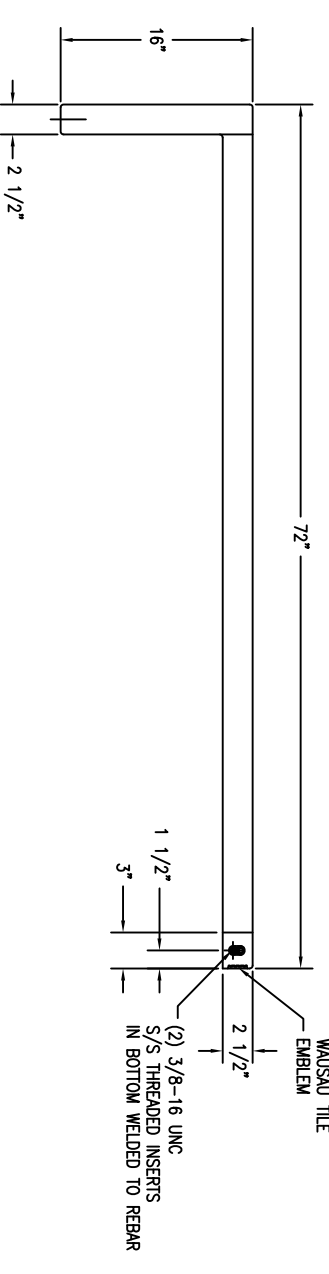
3 RIGHT END ELEVATION OF ASSEMBLED BENCH
Scale: 1/8" = 1"



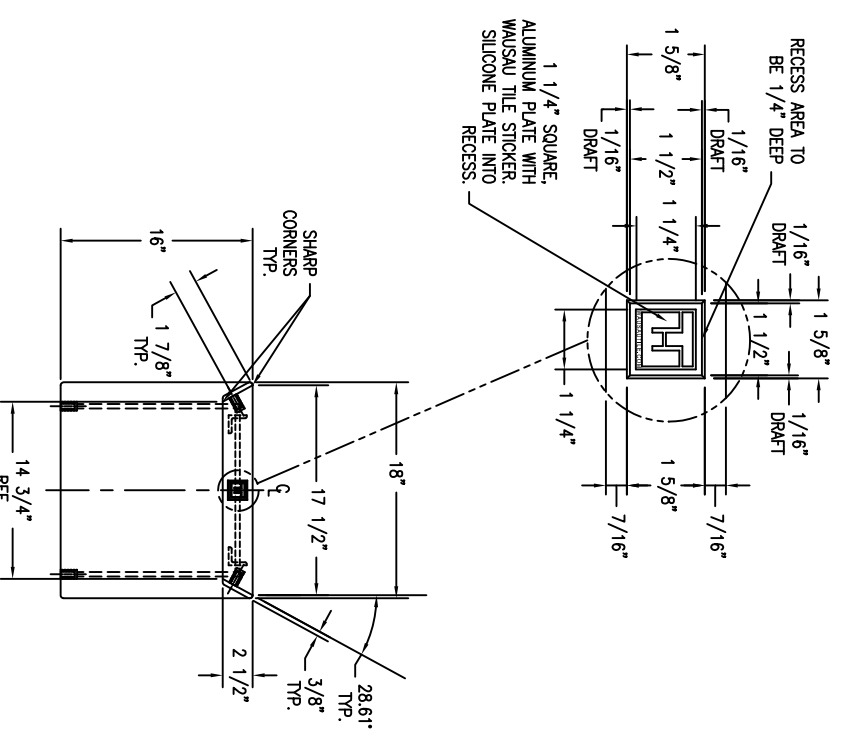
7 ANCHORING DETAIL
Scale: 1/2" = 1"



4 TOP VIEW CONCRETE SEAT WITH ONE LEG
Scale: 1/8" = 1"



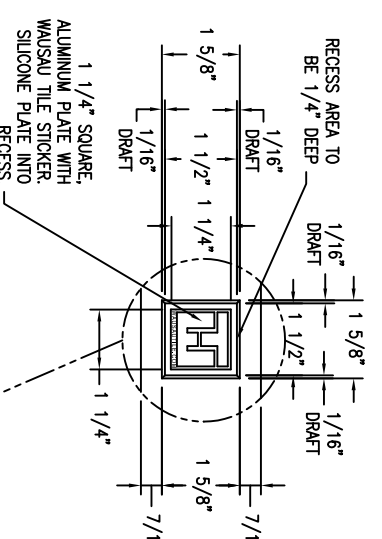
5 FRONT ELEVATION OF CONCRETE SEAT & LEG
Scale: 1/8" = 1"



6 RIGHT END ELEVATION OF CONCRETE SEAT & LEG
Scale: 1/8" = 1"

NOTE:
ALL CORNERS TO HAVE 1/4" RADIUS UNLESS NOTED OTHERWISE.

NOTE:
LOCATE INSERTS WITH JIG TO ENSURE FIT UP WITH STAINLESS STEEL LEG.



1		ADDED ANGLE REINFORCEMENT	MJS	04/01/11
REV		DESCRIPTION	NAME	DATE

WAUSAU TILE		P.O. BOX 1520 WAUSAU, WISCONSIN 54985-1520 800/298-8728	
DESIGNED BY	M. JOHNSON	E-MAIL: TITLE@WAUSAUTILE.COM	WEB SITE: WWW.WAUSAUTILE.COM
TITLE		JOB NO.	
SCALE		DATE	10/26/09
UNLESS OTHERWISE SPECIFIED DIMENSIONS ARE IN INCHES FRACTIONS 1/8		FINISH OPTIONS	DWG. NO. WS-312
		MATERIAL	CONCRETE
		WEIGHT	