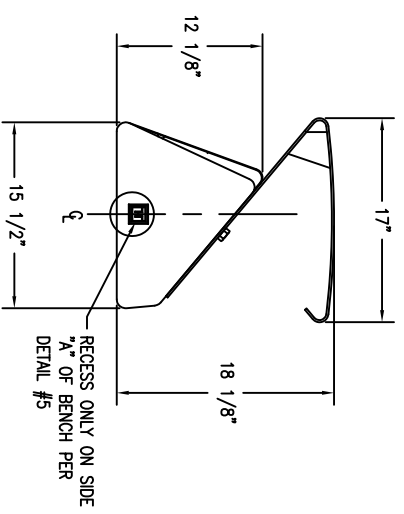
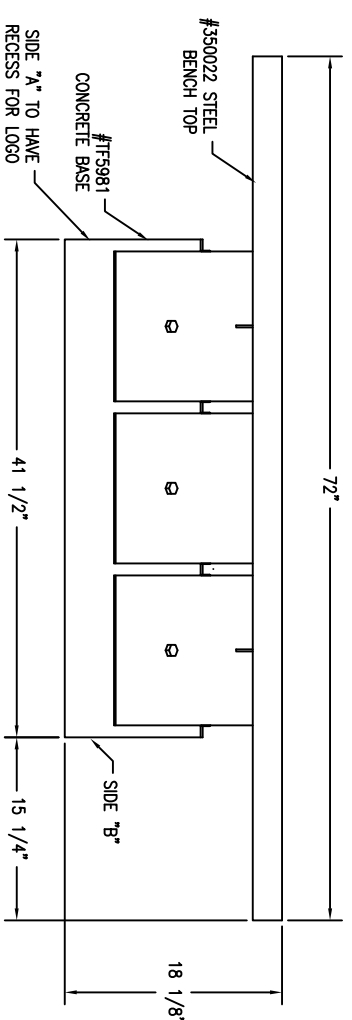


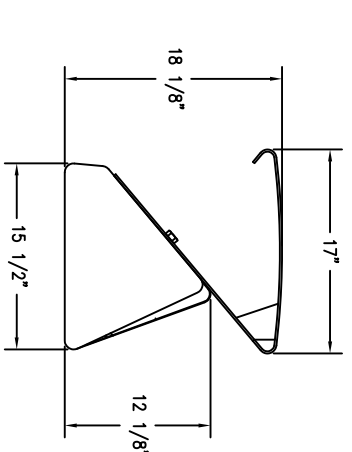
1 TOP VIEW OF WS-310 BENCH
Scale: 1/8" = 1"



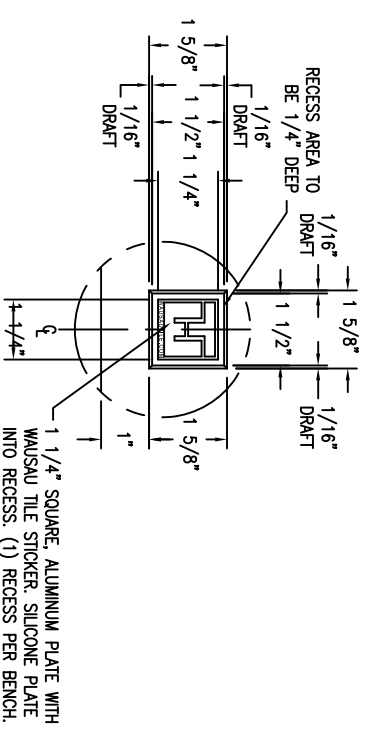
3 SIDE "A" OF WS-310 BENCH
Scale: 1/8" = 1"



2 BACK VIEW OF WS-310 BENCH
Scale: 1/8" = 1"



4 SIDE "B" OF WS-310 BENCH
Scale: 1/8" = 1"



5 RECESS BLOCK OUT FOR EMBLEM
Scale: 1/2" = 1"

WS-310 CANTILEVER BENCH
W/ S-B PATTERN

REVISIONS						DRAWN BY		JOB		MATERIAL	
NO.	DATE	BY	NO.	DATE	BY	JOB NO.	M. JOHNSON	LOCATION	WEIGHT	ITEM NO.	DWG. NO.
1	12/29/09	PMW	4							WS-310	350232
2			5								
3			6								

UNLESS OTHERWISE SPECIFIED DIMENSIONS ARE IN INCHES
2 R. 4000 3 R. 4005 FINISH OPTIONS

DATE 10/15/09

SCALE AS NOTED

WAUSAU TILE SITE FURNISHINGS

P.O. BOX 1520 WAUSAU, WISCONSIN 54982-1520 800/298-8728
E-MAIL: TILES@WAUSAUTILE.COM
WEB SITE: WWW.WAUSAUTILE.COM