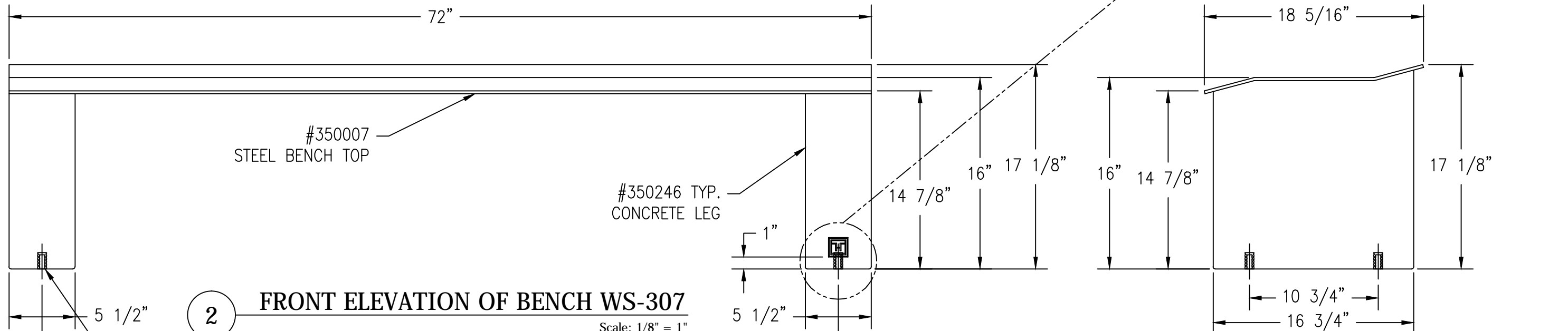


1 TOP VIEW OF WS-307 STEEL BENCH TOP, S-D PATTERN
Scale: 1/8" = 1"



2 FRONT ELEVATION OF BENCH WS-307
Scale: 1/8" = 1"

3 SIDE ELEVATION OF BENCH WS-307
Scale: 1/8" = 1"

(2) 3/8-16NC
THREADED INSERTS
IN BOTTOM
WELDED TO REBAR

WAUSAU TILE SITE FURNISHINGS						P.O. BOX 1520 WAUSAU, WISCONSIN 54402-1520 800/388-8728		P.O. BOX 967 BANNING, CALIFORNIA 92220 800/231-4836				
REVISIONS						DRAWN BY	M JOHNSON		JOB	MATERIAL	CONCRETE & STEEL	
NO.	DATE	BY	NO.	DATE	BY	JOB NO.	LOCATION		WEIGHT			
1	1/26/10	PAW	4			SCALE	AS NOTED		DATE	10/20/09	ITEM NO.	WS-307
2			5			UNLESS OTHERWISE SPECIFIED DIMENSIONS ARE IN INCHES ANGLES ±0.5° FRAC. ±1/64" 2 PL ±0.01 3 PL ±0.005		FINISH OPTIONS	DWG. NO.		350243	
3			6									