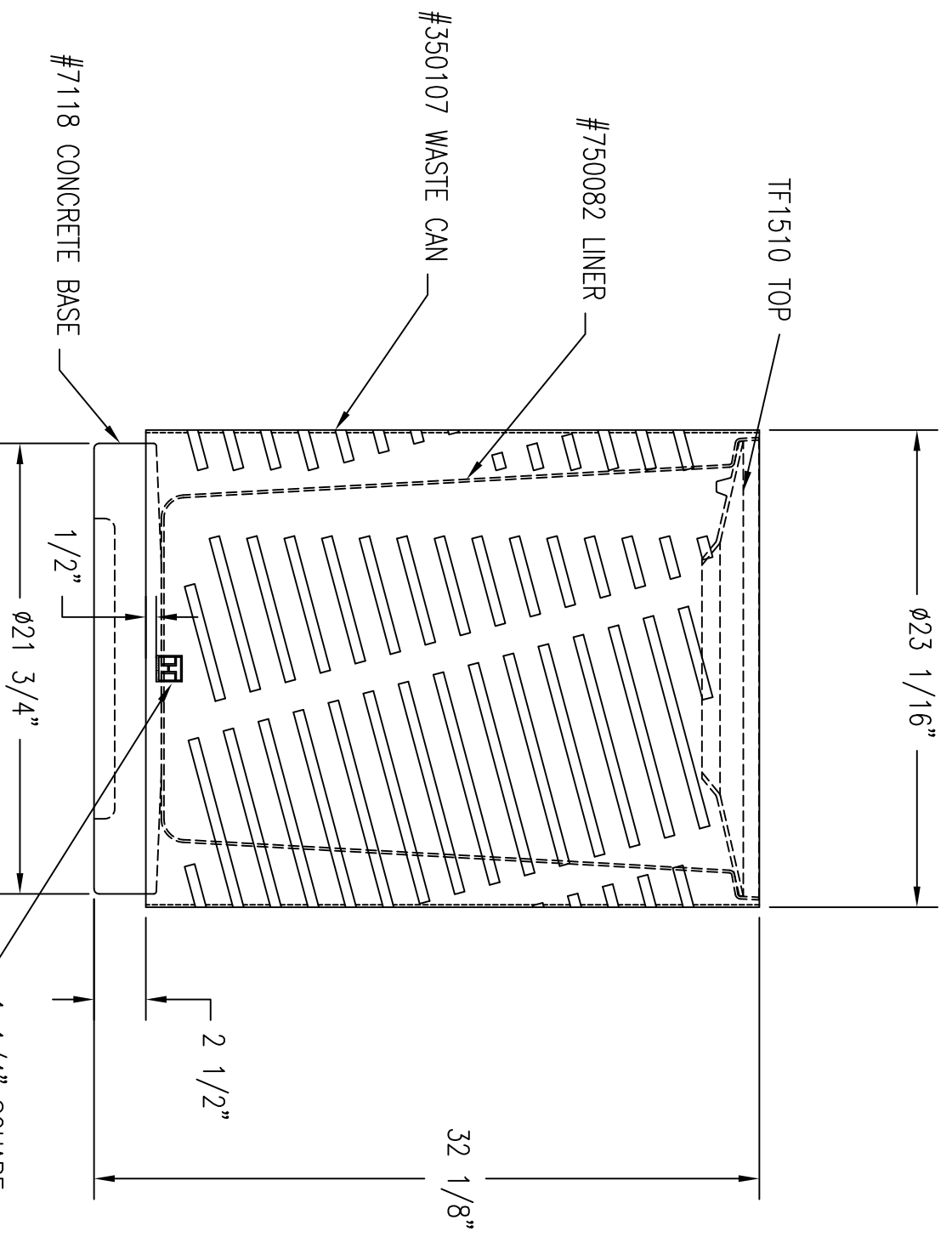


1 TOP VIEW
Scale: 1/8" = 1"



2 ELEVATION
Scale: 1/8" = 1"

WS-304 STEEL WASTE CONTAINER
W/ S-M PATTERN

WAUSAU TILE SITE FURNISHINGS

P.O. BOX 1520 WAUSAU, WISCONSIN 54402-1520 800/388-8728
P.O. BOX 967 BANNING, CALIFORNIA 92220 800/231-4836

REVISIONS						DRAWN BY		JOB		MATERIAL	
NO.	DATE	BY	NO.	DATE	BY	M JOHNSON		LOCATION		STEEL &	CONCRETE
1	1/19/10	P.W.	4			JOB NO.		UNLESS OTHERWISE SPECIFIED DIMENSIONS ARE IN INCHES. ANGLES ±0.5° FRAC: 1/16"		WS-304	
2			5			SCALE		2 PL ±0.01 3 PL ±0.005			
3			6			AS NOTED		DATE		DWG. NO.	
								10/19/09		350237	
								FINISH OPTIONS			