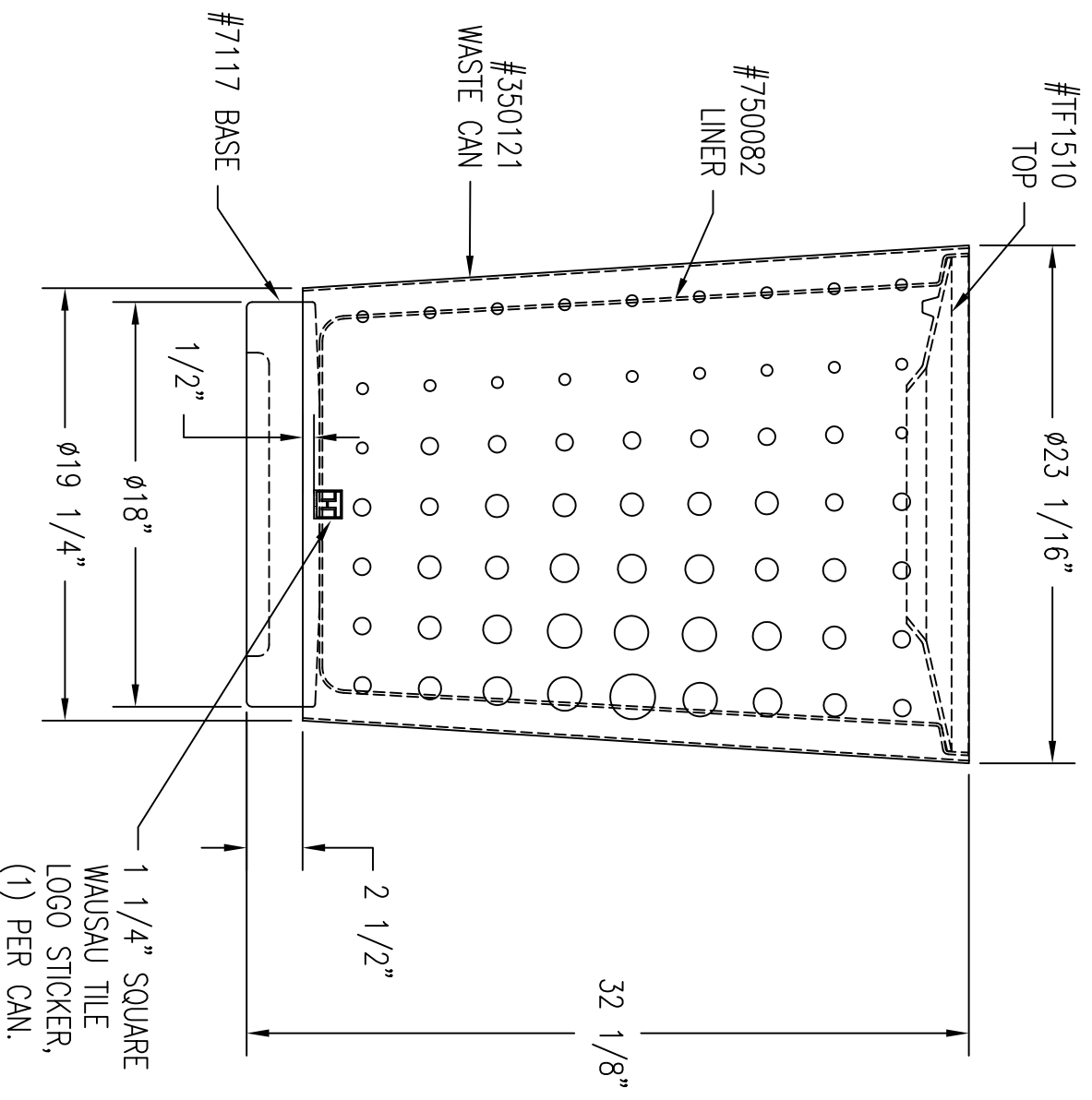


1 TOP VIEW
Scale: 1/8" = 1"



2 ELEVATION
Scale: 1/8" = 1"

WS-303 STEEL WASTE CONTAINER
W/ S-P PATTERN

WAUSAU TILE SITE FURNISHINGS

P.O. BOX 1520 WAUSAU, WISCONSIN 54402-1520 800/388-8728
P.O. BOX 967 BANNING, CALIFORNIA 92220 800/231-4836

REVISIONS						DRAWN BY		JOB		MATERIAL	
NO.	DATE	BY	NO.	DATE	BY	M JOHNSON		LOCATION		STEEL &	CONCRETE
1	12/8/09	P.W.	4							WEIGHT	
2			5							ITEM NO.	WS-303
3			6							DWG. NO.	350234

SCALE		AS NOTED		UNLESS OTHERWISE SPECIFIED DIMENSIONS ARE IN INCHES ANGLES ±0.5° FRAC. 1/64" 2 PL ±0.01 3 PL ±0.005		DATE		10/19/09		FINISH OPTIONS	
-------	--	----------	--	---	--	------	--	----------	--	----------------	--