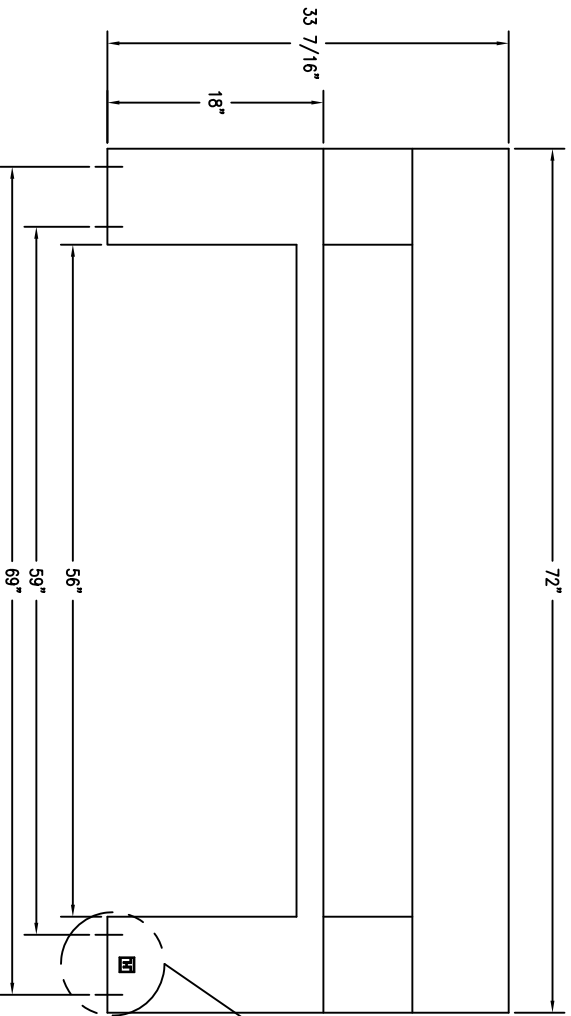
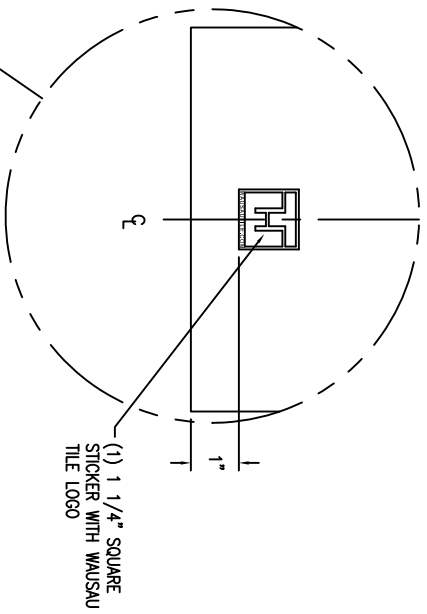


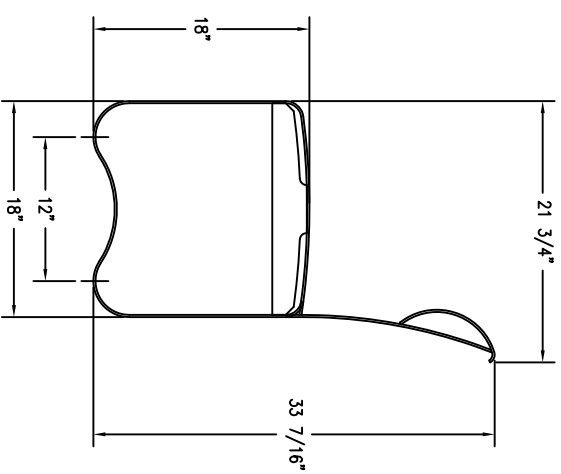
1 TOP VIEW OF WS-206 BENCH
Scale: 1/8" = 1"



2 FRONT ELEVATION OF WS-206 BENCH
Scale: 1/8" = 1"



(1) 1 1/4" SQUARE
STICKER WITH WAUSAU
TILE LOGO



3 SIDE ELEVATION OF WS-206 BENCH
Scale: 1/8" = 1"

WAUSAU TILE SITE FURNISHINGS

REVISIONS						DRAWN BY		JOB		MATERIAL	
NO.	DATE	BY	NO.	DATE	BY	JOB NO.	LOCATION	WEIGHT	ITEM NO.	FINISH	OPTIONS
1	1/28/10	PMW	4			M. JOHNSON			WS-206 WITH	SE	PATTERN
2			5								
3			6								

P.O. BOX 1520 WAUSAU, WISCONSIN 54981-1520 800/298-8728
E-MAIL: TILES@WAUSAUTILE.COM
WEB SITE: WWW.WAUSAUTILE.COM

UNITS: DIMENSIONS SHOWN IN INCHES
DIMENSIONS ARE IN INCHES
ANGLES AND FINISHES ARE AS NOTED
2 R. 10/11 3 R. 10/09
DATE: 10/14/09
FINISH: SE
ITEM NO.: WS-206 WITH PATTERN
DWG. NO.: 350223