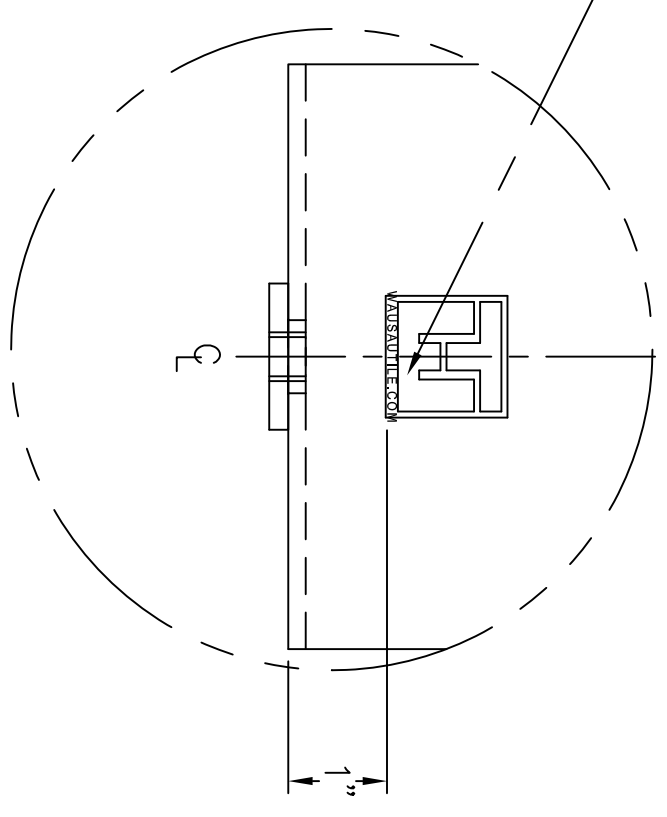
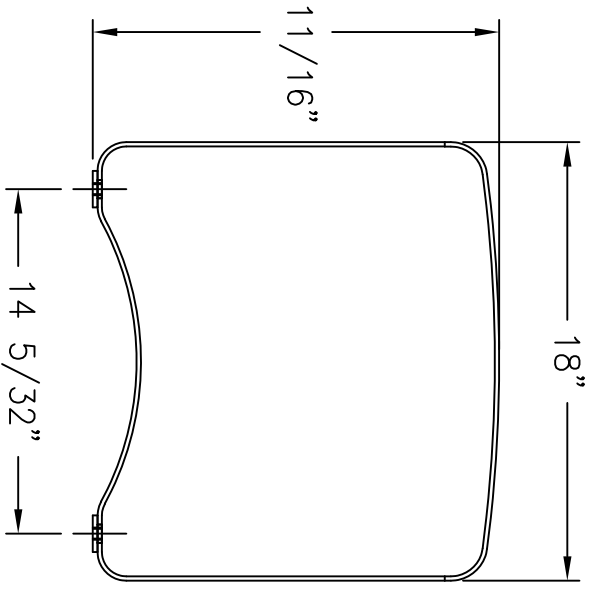
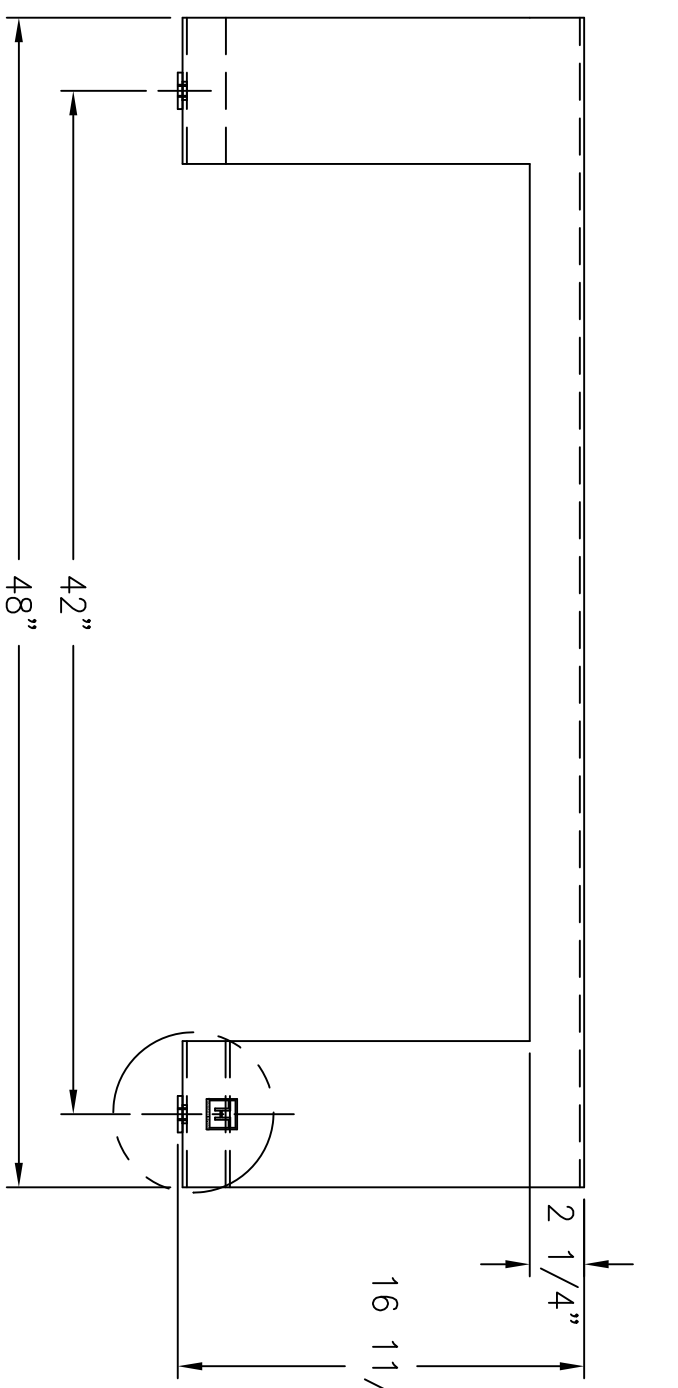


(1) 1 1/4" SQUARE  
WAUSAU TILE LOGO STICKER,  
PER BENCH



SCALE: 1/2" = 1"



<b>WAUSAU TILE</b>		P.O. BOX 1520 WAUSAU, WISCONSIN 54402-1520 800/388-8728	
E-MAIL: <a href="mailto:WTTILE@WAUSAUTILE.COM">WTTILE@WAUSAUTILE.COM</a>		WEB SITE: <a href="http://WWW.WAUSAUTILE.COM">WWW.WAUSAUTILE.COM</a>	
DRAWN BY	M JOHNSON	TITLE	WS-205 BENCH DIMENSIONS
JOB NO.		JOB	
MATERIAL	7 GA STEEL	WEIGHT	
SCALE	1/8" = 1"	DATE	-
UNLESS OTHERWISE SPECIFIED DIMENSIONS ARE IN INCHES ANGLES ±0.5° FRACTIONS ± 1/64" 2 PL ±0.01 3 PL ±0.005		DWG. NO.	WS-205 DIMENSION
REV	DESCRIPTION	NAME	DATE
1	-----	---	---/---/---