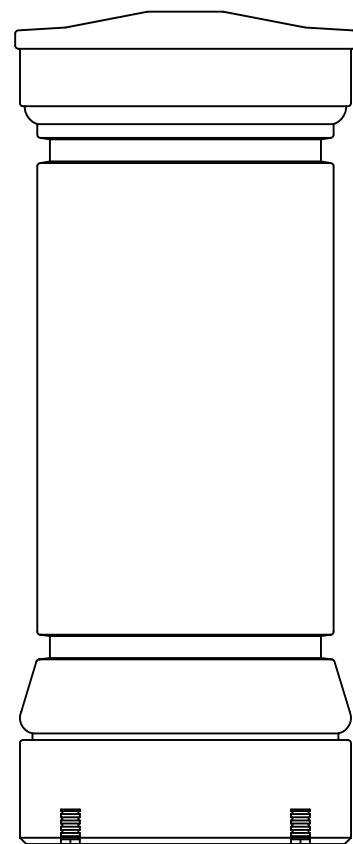
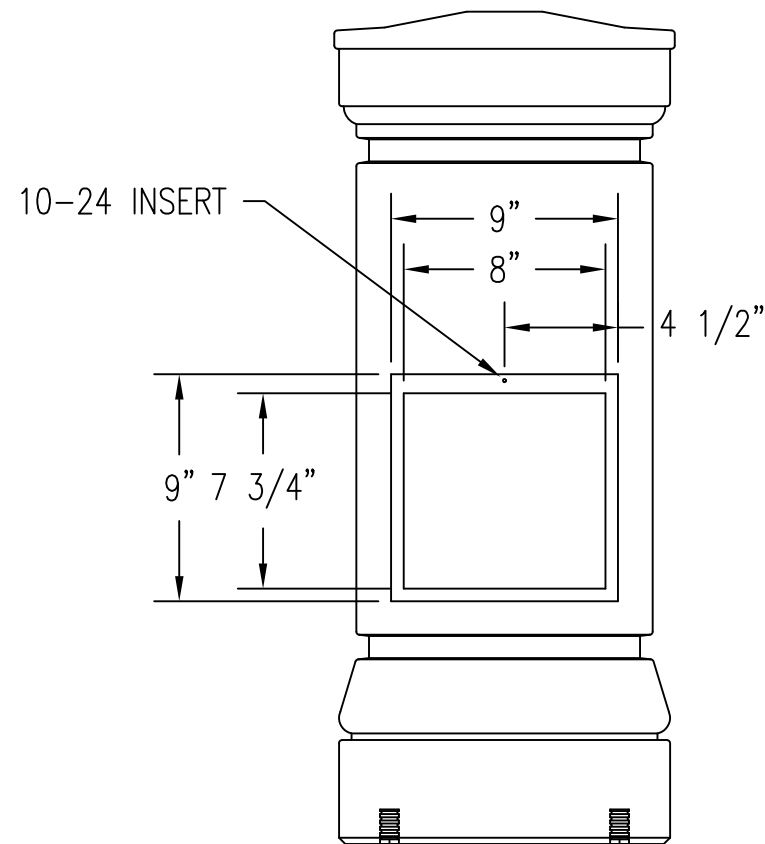


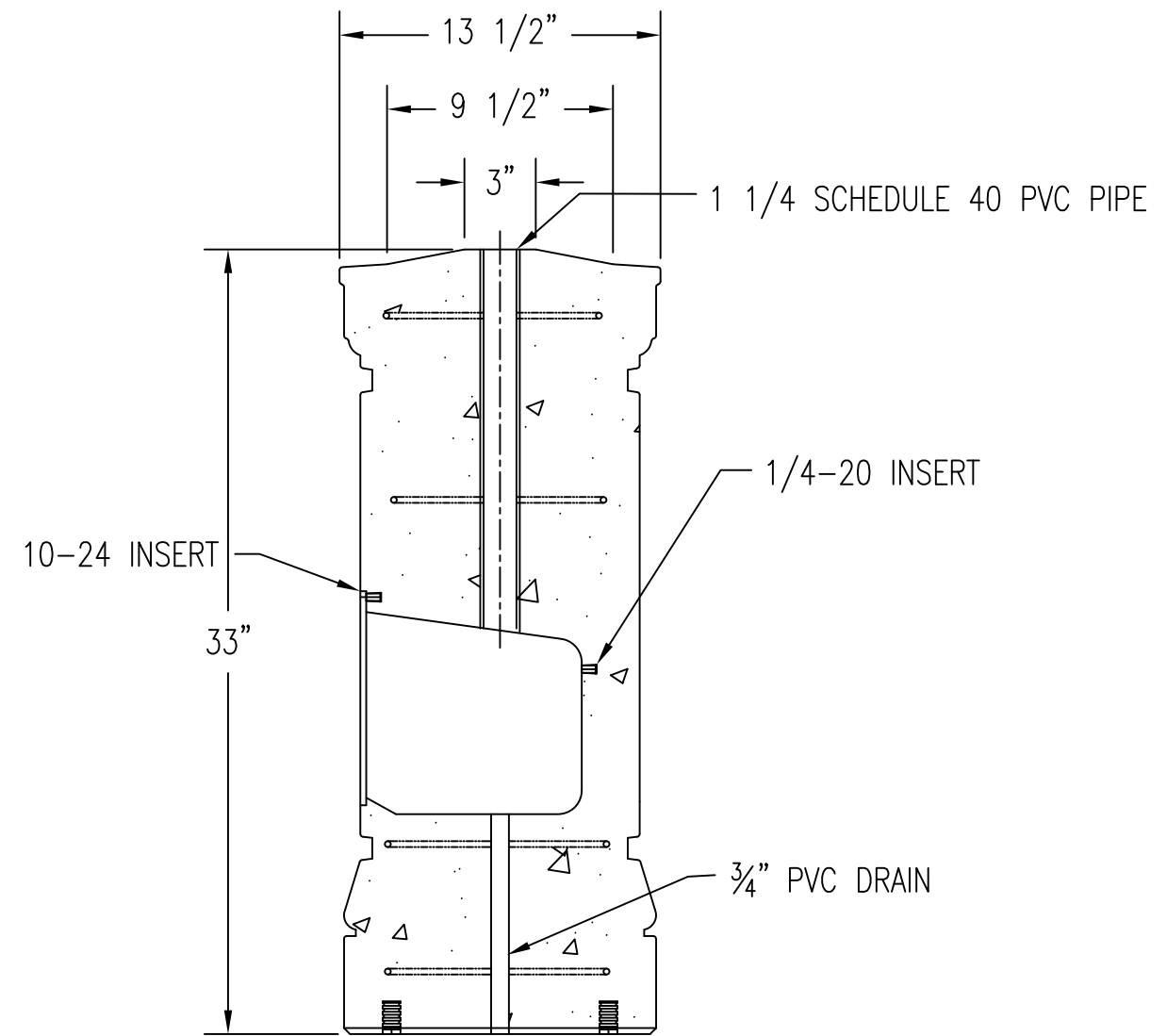
1 TOP VIEW OF SNUFFER



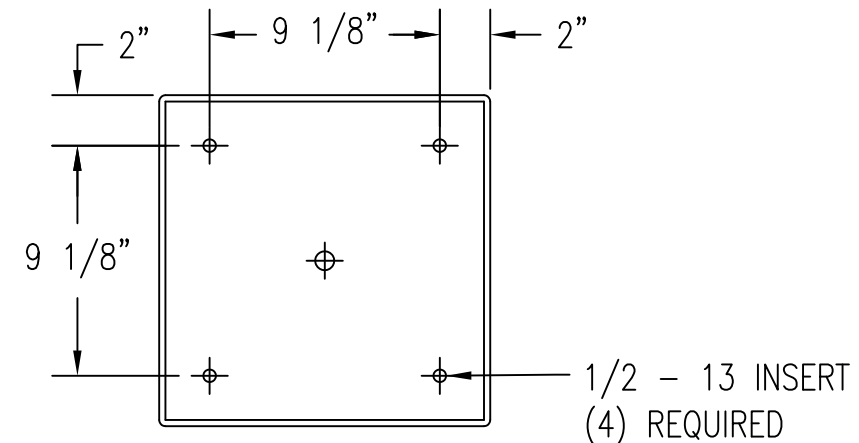
2 FRONT VIEW OF SNUFFER



3 BACK VIEW OF SNUFFER



4 SIDE SECTION VIEW



5 BOTTOM VIEW OF SNUFFER



P.O. BOX 1520 WAUSAU, WI 54402-1520
800-388-8728
E-MAIL: WTILE@WAUSAUTILE.COM
WEB SITE: WWW.WAUSAUTILE.COM

REVISIONS

NAME	DATE	NOTES
1		
2		
3		
4		
5		
6		
7		
8		

CONFIDENTIAL INFORMATION
THESE DRAWING, SPECIFICATIONS AND
OTHER INFORMATION AND DOCUMENTS
ACCOMPANYING THEM ARE THE
CONFIDENTIAL AND PROPRIETARY
PROPERTY OF WAUSAU TILE, INC. THE
DRAWINGS THEMSELVES SHALL BELONG TO
THE OWNER FOR USE ONLY ON THE
PROJECT. ANY ADDITIONAL USE SHALL
REQUIRE THE PRIOR WRITTEN APPROVAL
OF WAUSAU TILE, INC. THE PROPRIETARY
INFORMATION CONTAINED WITHIN THE
DRAWINGS AND THE DOCUMENTS IS AND
SHALL REMAIN THE SOLE PROPERTY OF
WAUSAU TILE, INC

JOB NAME

LOCATION

UNLESS OTHERWISE SPECIFIED
DIMENSIONS ARE IN INCHES
FRACTIONS ± 1/8"

DRAWN BY: TAS
DATE: 11/19/14
MATERIAL: CONCRETE
WEIGHT: 390 LBS

PRODUCT NO.
WS2037