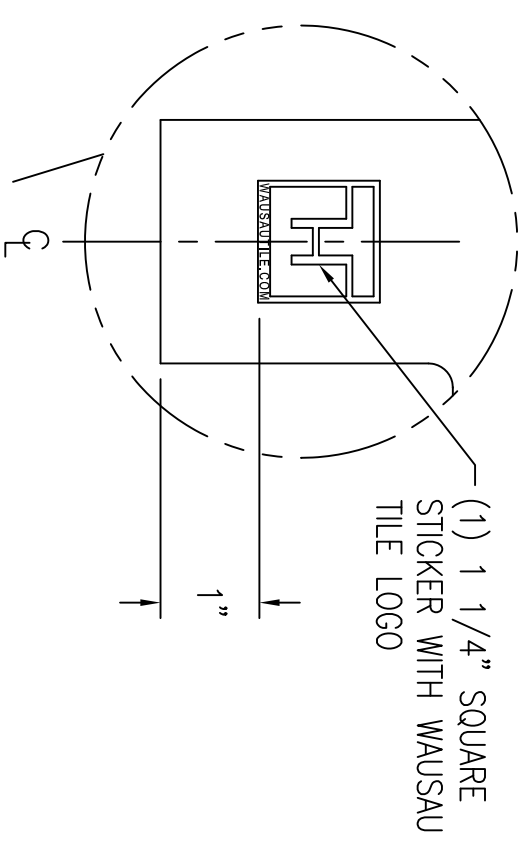
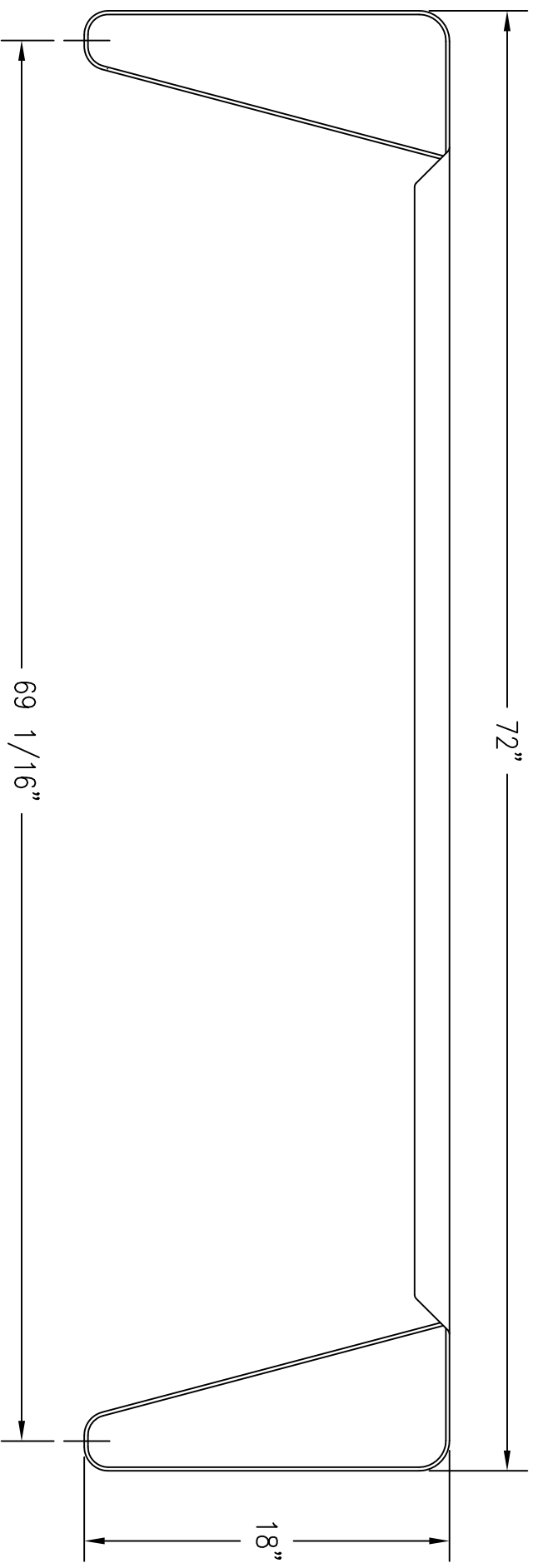


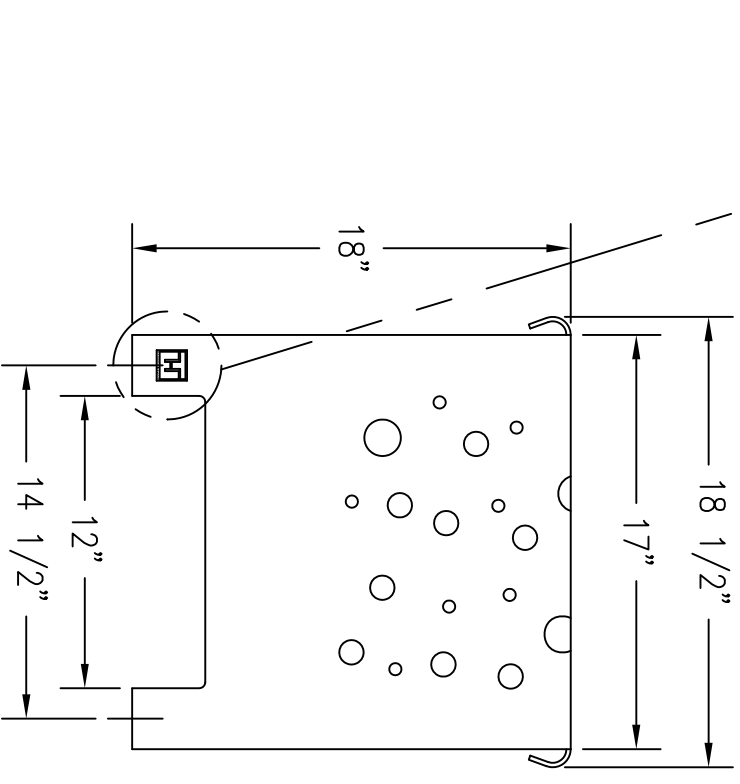
1 TOP VIEW OF WS-202 BENCH
Scale: 1/8" = 1"



(1) 1 1/4" SQUARE
STICKER WITH WAUSAU
TILE LOGO



2 FRONT ELEVATION OF WS-202 BENCH
Scale: 1/8" = 1"



3 SIDE ELEVATION OF BENCH WS-202
Scale: 1/8" = 1"

WAUSAU TILE SITE FURNISHINGS

P.O. BOX 1520 WAUSAU, WISCONSIN 54402-1520 800/388-8728
P.O. BOX 967 BANNING, CALIFORNIA 92220 800/231-4836

REVISIONS						DRAWN BY		JOB		MATERIAL	
NO.	DATE	BY	NO.	DATE	BY	M JOHNSON		LOCATION		STEEL	
1	12/16/09	PAW	4			JOB NO.		UNLESS OTHERWISE SPECIFIED DIMENSIONS ARE IN INCHES		DATE	ITEM NO.
2			5			SCALE		2 PL ±0.01 3 PL ±0.005		10/14/09	WS-202
3			6			AS NOTED		FINISH OPTIONS			DWG. NO.
											350219

WS-202 BENCH W/ S-F PATTERN