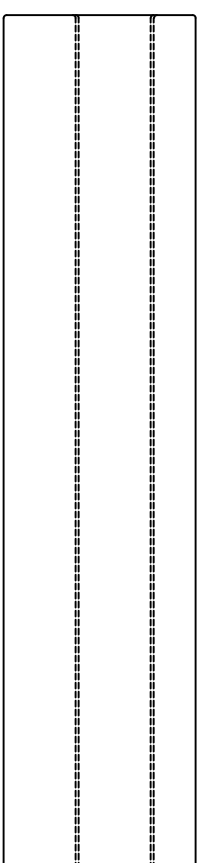
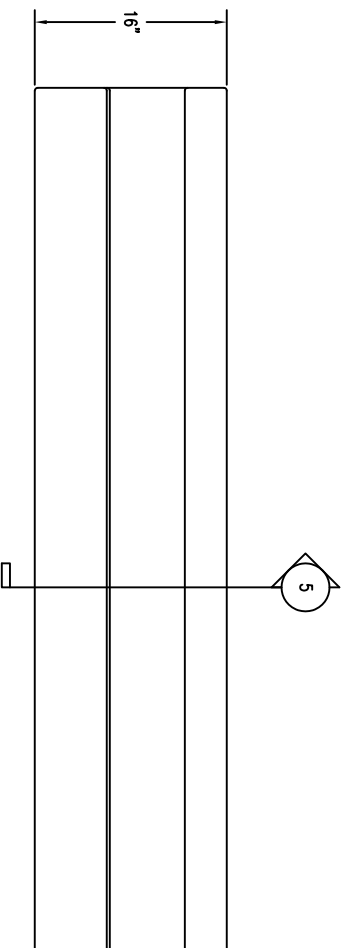


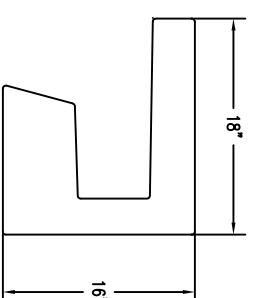
1 TOP VIEW  
Scale: 1/4" = 1"



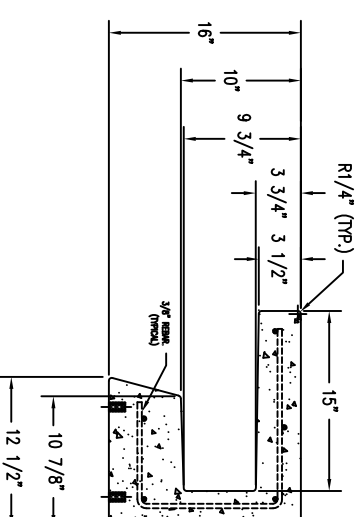
6 BACK ELEVATION VIEW  
Scale: 1/4" = 1"



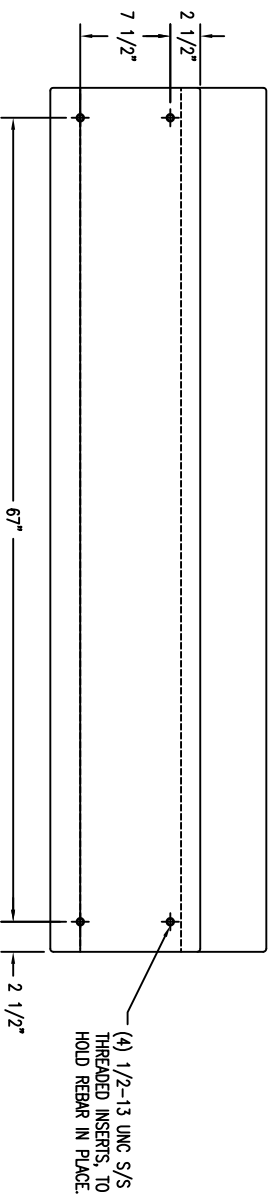
2 ELEVATION VIEW  
Scale: 1/4" = 1"



3 END VIEW  
Scale: 1/4" = 1"



5 SECTION  
Scale: 1/4" = 1"



4 BOTTOM VIEW  
Scale: 1/4" = 1"

(4) 1/2-13 UNC S/S  
THREADED INSERTS TO  
HOLD REBAR IN PLACE.

<b>WAUSAU TILE</b>		P.O. BOX 1520 WAUSAU, WISCONSIN 54402-1520 800/286-8728	
DRAWN BY JPZ		E-MAIL: TITEL@WAUSAUTILE.COM	
TITLE WAUSAU SELECT		WEB SITE: WWW.WAUSAUTILE.COM	
JOB NO.	JOB	MATERIAL	CONCRETE
SCALE	UNLESS OTHERWISE SPECIFIED DIMENSIONS ARE IN INCHES FRACTIONS 1/8"	WEIGHT	1000 LBS.
DATE 12/29/11	FINISH OPTIONS	DWG. NO.	WS-152
REV 1	DESCRIPTION	NAME	DATE