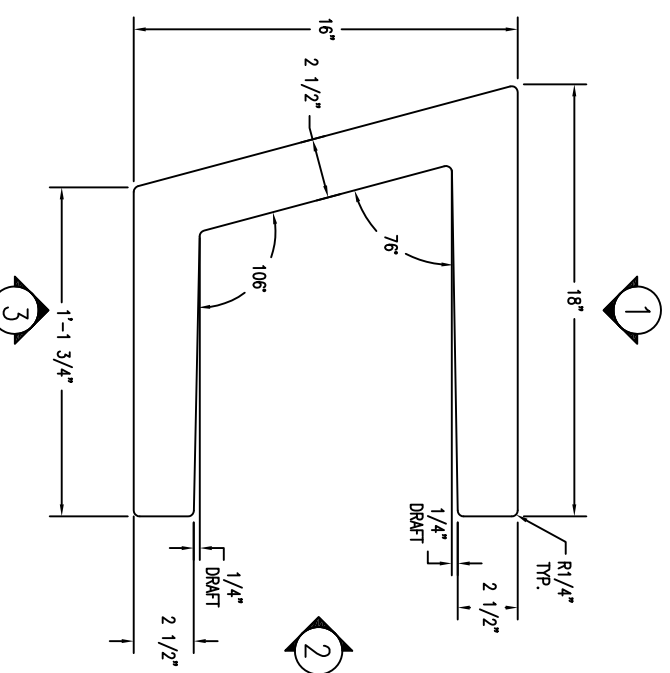
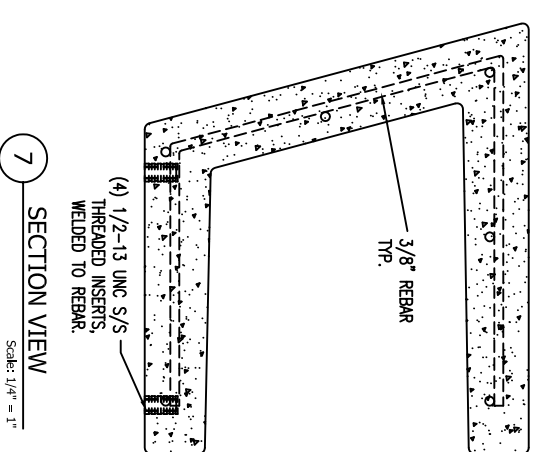


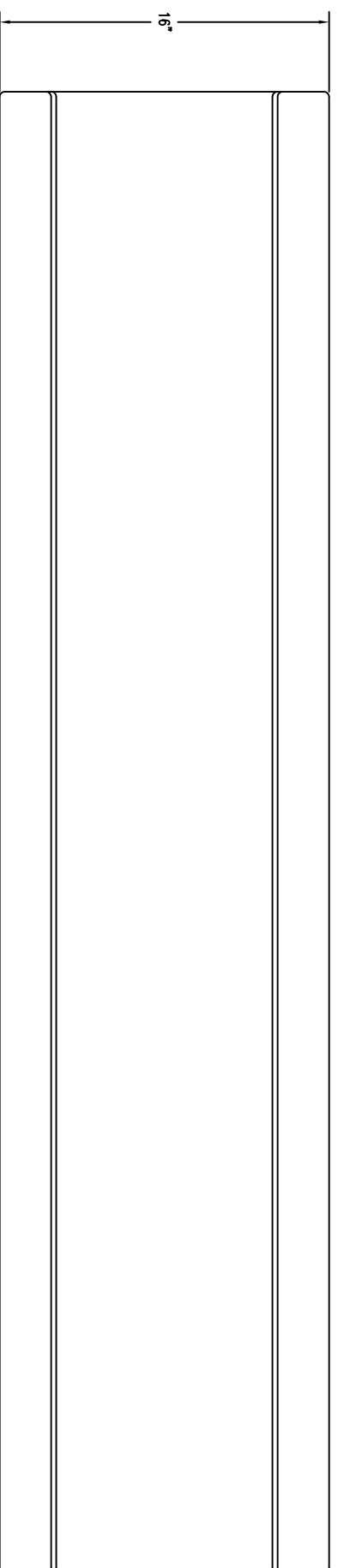
1 TOP VIEW
Scale: 1/4" = 1"



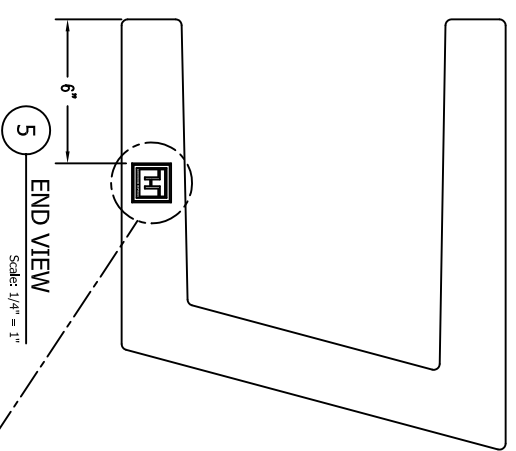
4 END VIEW
Scale: 1/4" = 1"



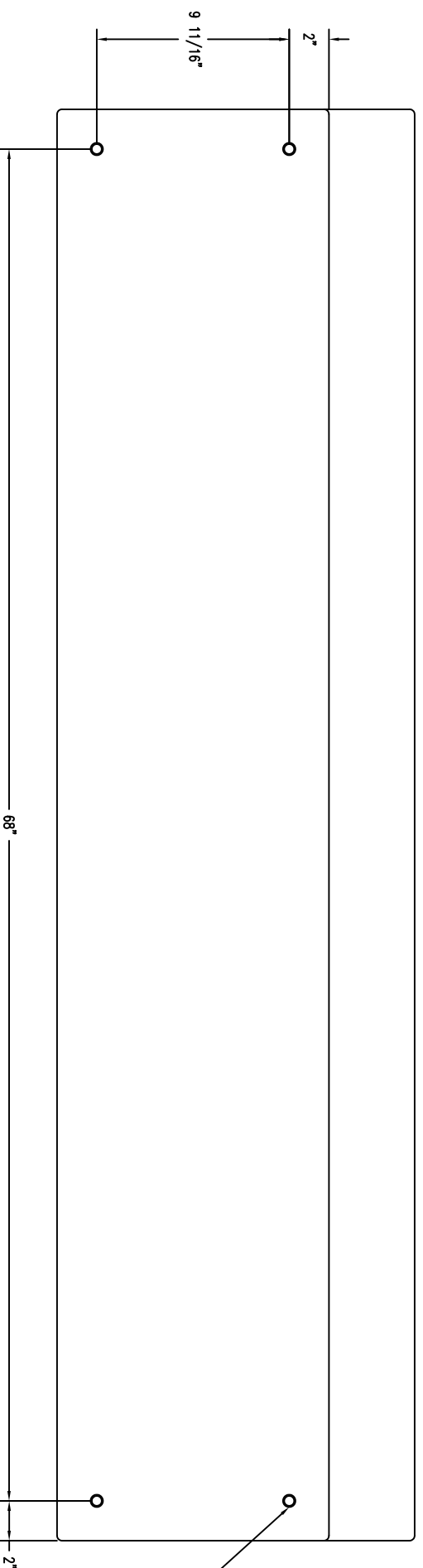
7 SECTION VIEW
Scale: 1/4" = 1"



2 ELEVATION VIEW
Scale: 1/4" = 1"

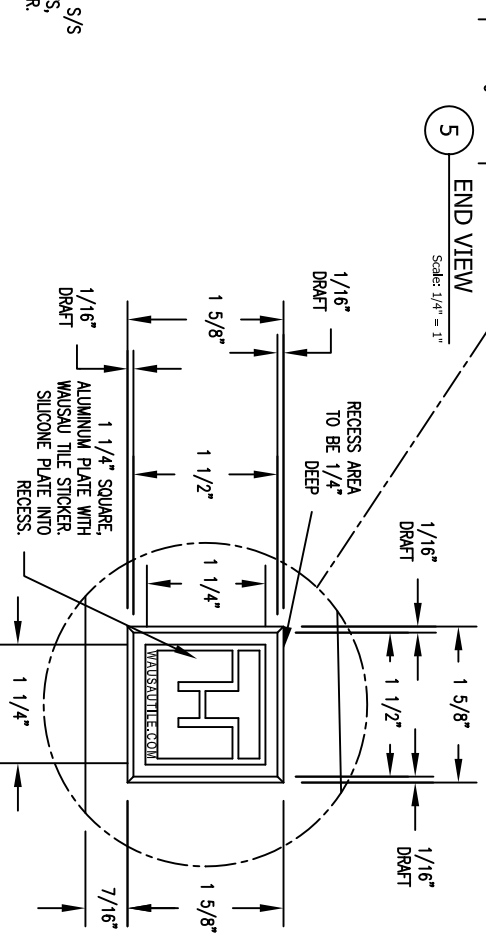


5 END VIEW
Scale: 1/4" = 1"



3 BOTTOM VIEW
Scale: 1/4" = 1"

(4) 1/2-13 UNC S/S THREADED INSERTS, WELDED TO REBAR.



6 RECESS BLOCK OUT FOR EMBLEM
Scale: 1" = 1"

WAUSAU TILE SITE FURNISHINGS

REVISIONS						DRAWN BY		JOB NO.		LOCATION		MATERIAL	
NO.	DATE	BY	NO.	DATE	BY	JOB NO.	SCALE	AS NOTED	UNLESS OTHERWISE SPECIFIED DIMENSIONS ARE IN INCHES (DIMENSIONS 2 1/8")	FINISH OPTIONS	ITEM NO.	QTY	WEIGHT
1			4	05/06/09	M/S						WS-132		
2			5	12/01/09	PHW								
3			6										

P.O. BOX 1520 WAUSAU, WISCONSIN 54485-1520 800/298-8728
E-MAIL: TITEL@WAUSAUTILE.COM
WEB SITE: WWW.WAUSAUTILE.COM