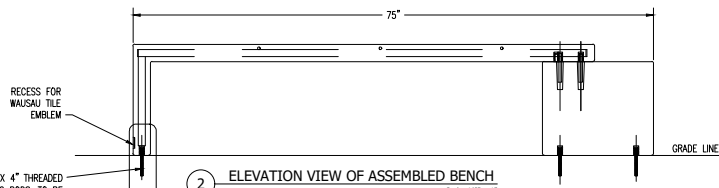
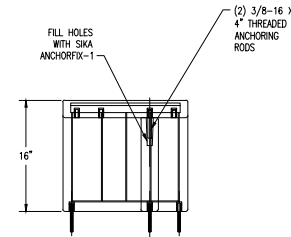


1 TOP VIEW OF ASSEMBLED BENCH
Scale: 1/8" = 1"

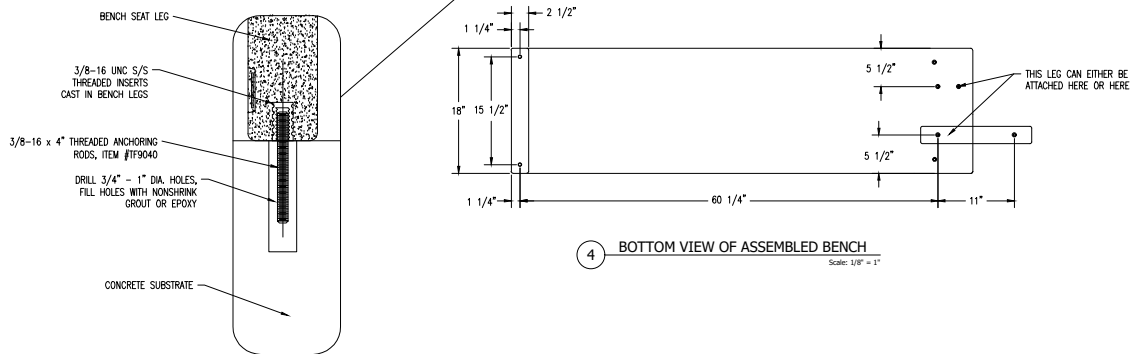
PARTS SCHEDULE FOR WS-128 BENCH			
ITEM #	DESCRIPTION	QTY	PART #
1	BENCH SEAT	1	
2	RECTANGULAR PEDESTAL BENCH LEG	1	
3	3/8-16 X 4" ANCHORING RODS	6	TF9040
5			
6			



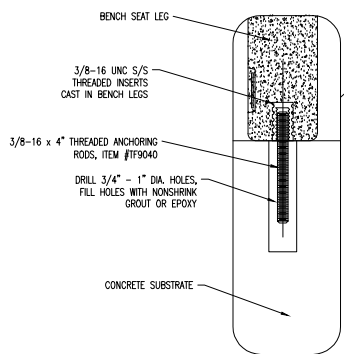
2 ELEVATION VIEW OF ASSEMBLED BENCH
Scale: 1/8" = 1"



3 SIDE VIEW OF ASSEMBLED BENCH
Scale: 1/8" = 1"



4 BOTTOM VIEW OF ASSEMBLED BENCH
Scale: 1/8" = 1"



5 ANCHORING DETAIL
Scale: 1/2" = 1"

ASSEMBLE ON SITE

WAUSAU TILE				P.O. BOX 1020 WAUSAU, WISCONSIN 54402-1020 (800) 398-8728	
				E-MAIL: WWW@WAUSAUTILE.COM	
				WEB SITE: WWW.WAUSAUTILE.COM	
DRAWN BY	PAW	JOB	WS-128	MATERIAL	CONCRETE
TITLE		JOB NO.		WEIGHT	
SCALE	AS NOTED	UNLESS OTHERWISE SPECIFIED DIMENSIONS ARE IN INCHES FRACTIONS & 1/8	DATE	5/7/10	FINISH OPTIONS
REV	DESCRIPTION	NAME	DATE	DRG. NO.	1 OF 3

3	ADDED FLAT BAR REINFORCEMENT	JFZ	3/6/12
2	ADDED ANGLE REINFORCEMENT	JFZ	6/17/11
1		PAW	7/28/10