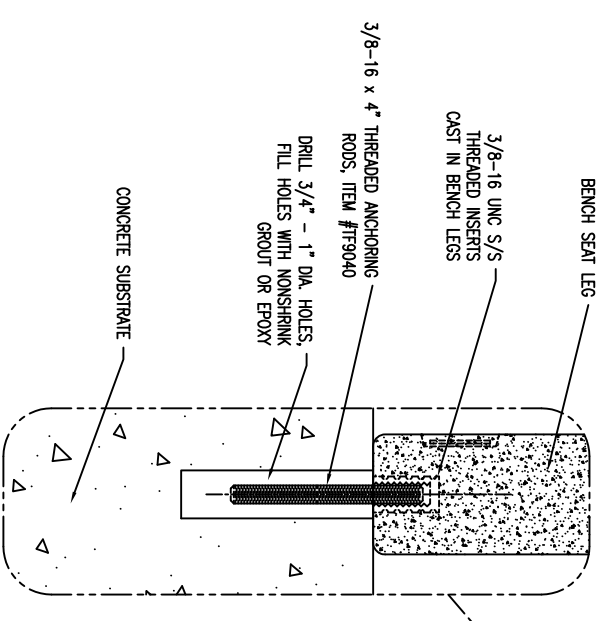
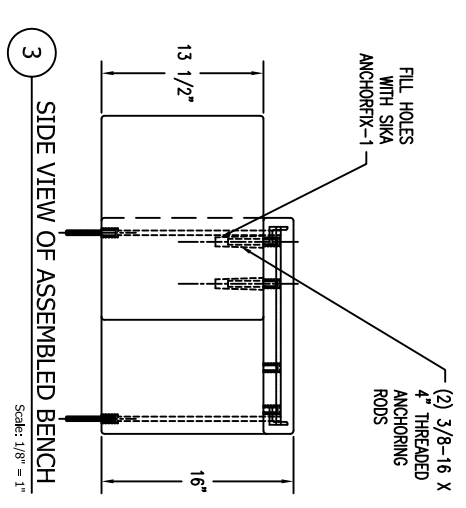
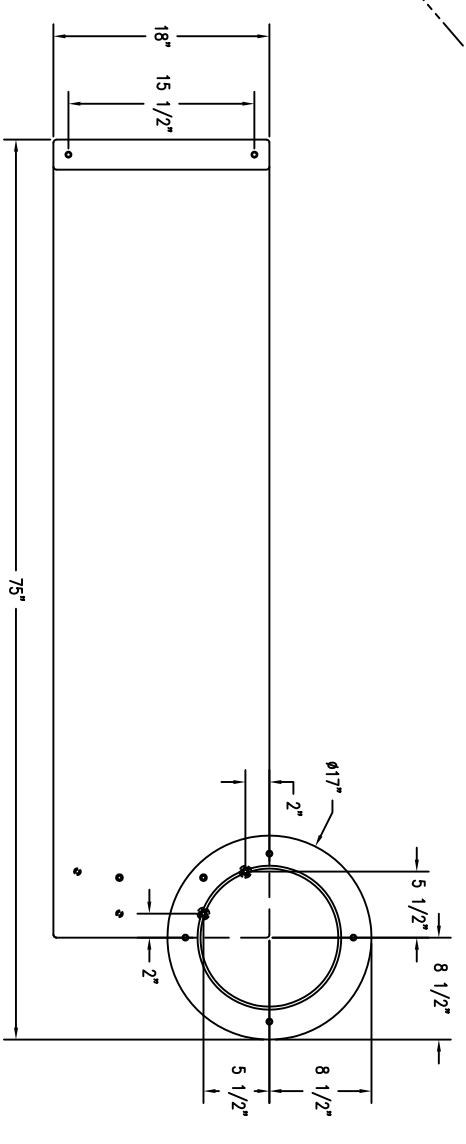
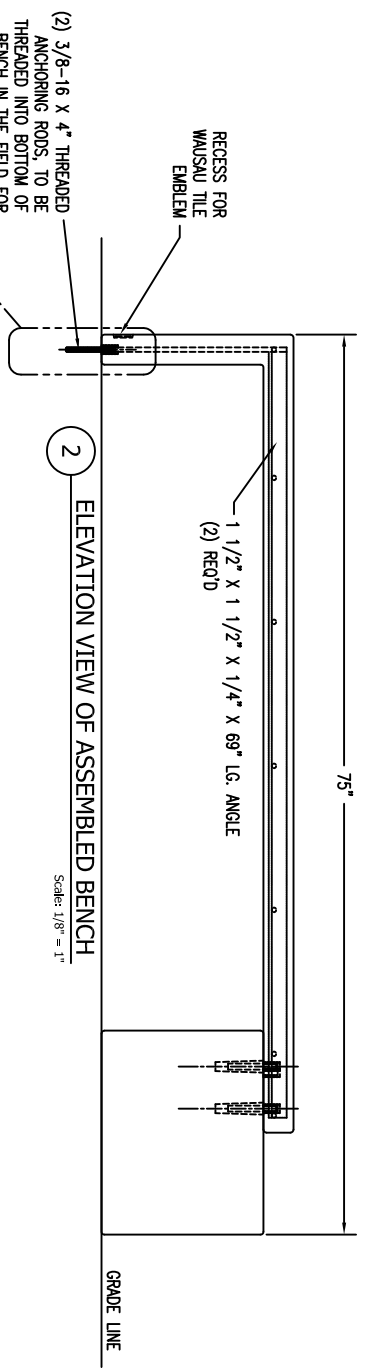
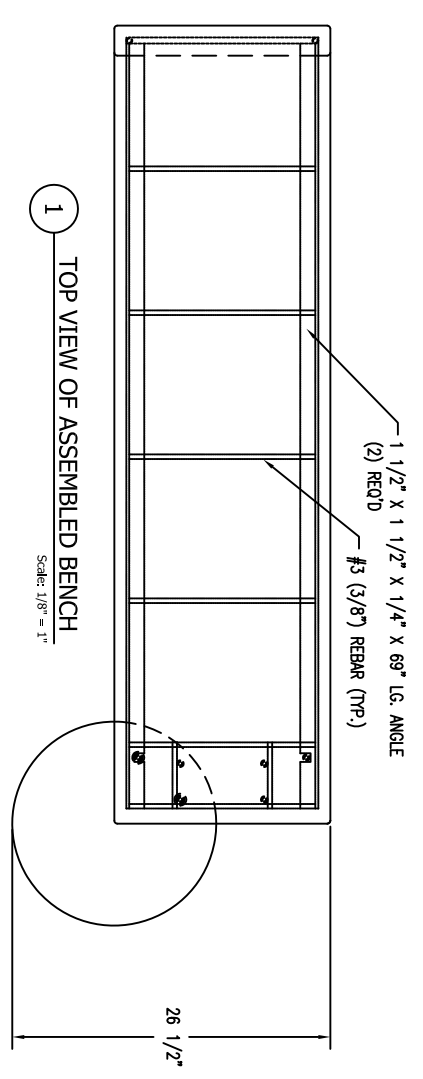


PARTS SCHEDULE FOR WS-126 BENCH			
ITEM #	DESCRIPTION	QTY	PART #
1	BENCH SEAT	1	
2	CIRCULAR PEDESTAL BENCH LEG	1	
3	3/8-16 X 4" ANCHORING RODS	4	TF9040
4	SIKA ANCHORFIX-1, 10.1 FL OZ TUBE	1	
5			
6			

BENCH TO BE ASSEMBLED IN THE FIELD, BY OTHERS.



WAUSAU TILE SITE FURNISHINGS					
REVISIONS			DRAWN BY P.A.W.		
NO.	DATE	BY	NO.	DATE	BY
1	5/7/10	P.A.W.	4		
2	7/29/10	P.A.W.	5		
3	6/20/11	JPZ	6		
JOB LOCATION			JOB		
JOB NO.			JOB		
SCALE AS NOTED			DATE 3/29/10		
UNLESS OTHERWISE SPECIFIED DIMENSIONS ARE IN INCHES TOLERANCES ± 1/8"			ITEM NO. WS-126		
FINISH OPTIONS			DWG. NO. 1 OF 3		

ASSEMBLE ON SITE

P.O. BOX 1520 WAUSAU, WISCONSIN 54485-1520 800/298-8728
E-MAIL: TILES@WAUSAUTILE.COM
WEB SITE: WWW.WAUSAUTILE.COM