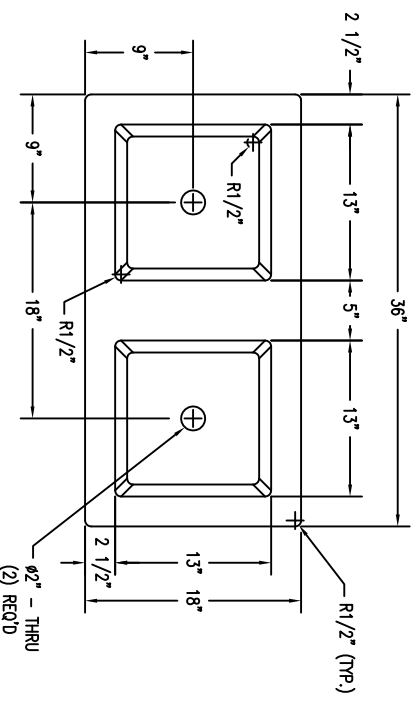
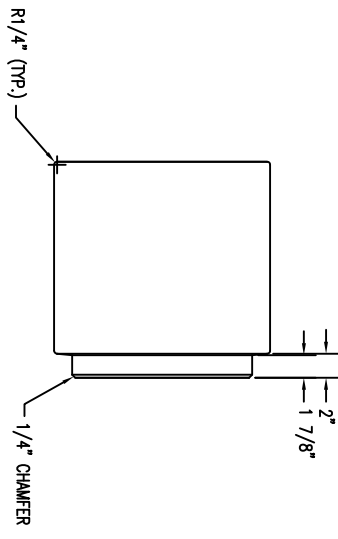


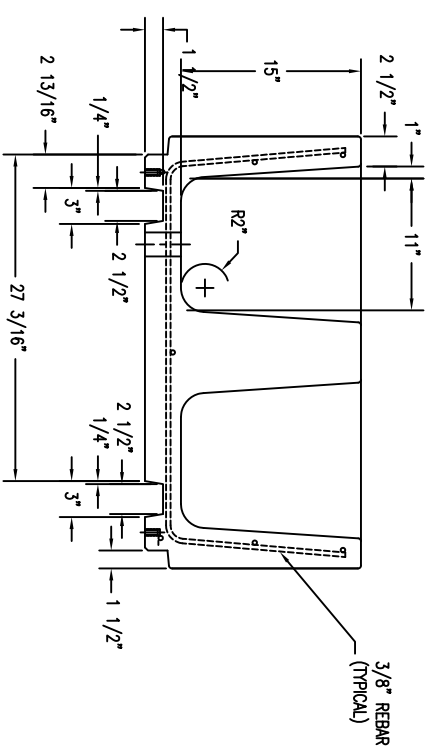
1 ELEVATION VIEW OF BENCH WS-121  
Scale: 1/8" = 1"



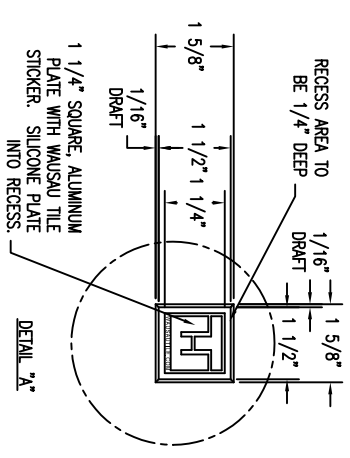
2 TOP VIEW OF BENCH WS-121  
Scale: 1/8" = 1"



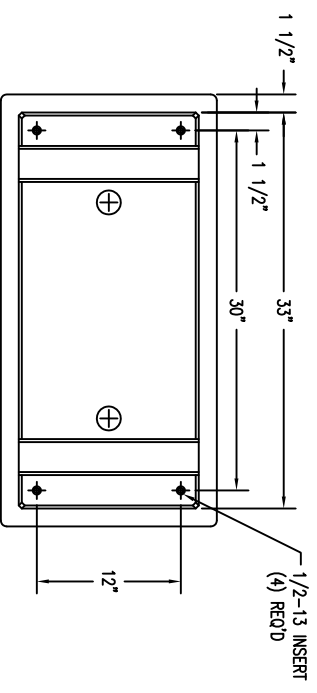
5 SIDE VIEW OF BENCH WS-121  
Scale: 1/8" = 1"



3 CROSS SECTION OF BENCH WS-121  
Scale: 1/8" = 1"



6 ENLARGE DETAIL OF LOGO & RECESS  
Scale: 1/2" = 1"



4 BOTTOM VIEW OF BENCH WS-121  
Scale: 1/8" = 1"

REVISIONS						DRAWN BY		JOB		MATERIAL	
NO.	DATE	BY	NO.	DATE	BY	TITLE	JOB NO.	WEIGHT	FINISH OPTIONS	DATE	DWG. NO.
1						MJS		CONCRETE		WS-121	
2						SCALE 1/8		UNLESS OTHERWISE SPECIFIED DIMENSIONS ARE IN INCHES FRACTIONS 1/8		04/21/10	
3											

**WAUSAU TILE SITE FURNISHINGS**

P.O. BOX 1520 WAUSAU, WISCONSIN 54485-1520 800/298-8728  
E-MAIL: TITELUMS@TILE.COM  
WEB SITE: WWW.WAUSAUTILE.COM