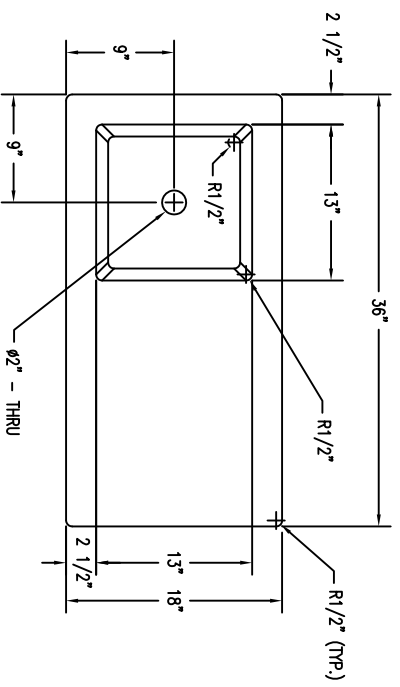
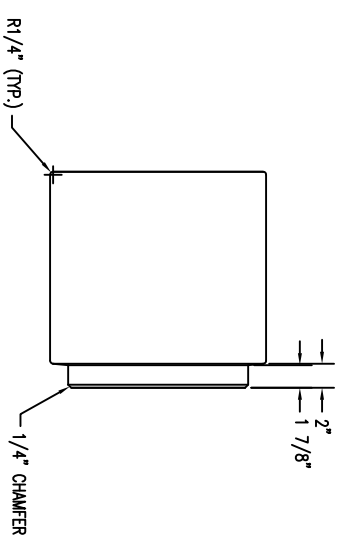


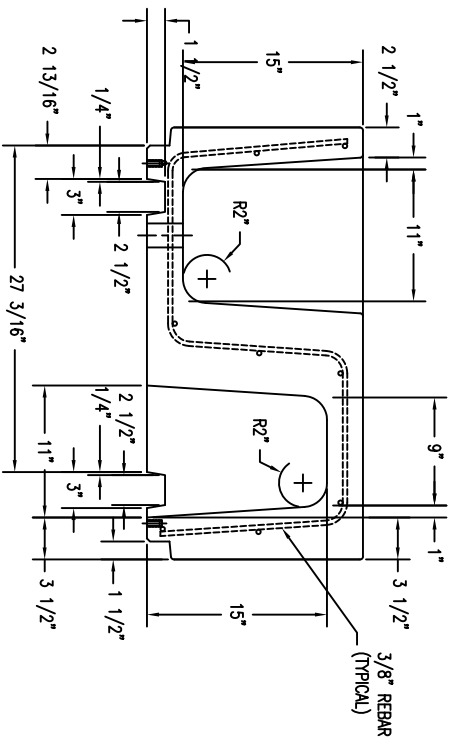
1 ELEVATION VIEW OF BENCH WS-120  
Scale: 1/8" = 1"



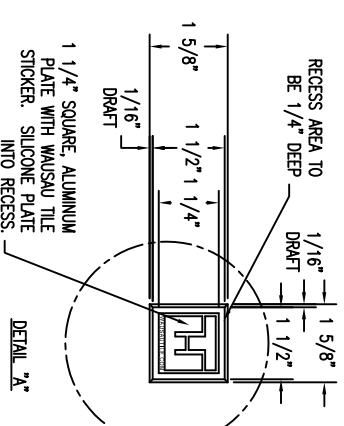
2 TOP VIEW OF BENCH WS-120  
Scale: 1/8" = 1"



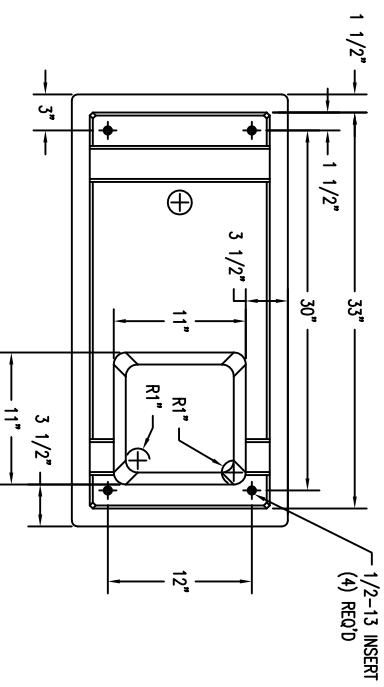
5 SIDE VIEW OF BENCH WS-120  
Scale: 1/8" = 1"



3 CROSS SECTION OF BENCH WS-120  
Scale: 1/8" = 1"



6 ENLARGE DETAIL OF LOGO & RECESS  
Scale: 1/2" = 1"



4 BOTTOM VIEW OF BENCH WS-120  
Scale: 1/8" = 1"

REVISIONS						DRAWN BY		JOB		MATERIAL	
NO.	DATE	BY	NO.	DATE	BY	TITLE	MJS	JOB NO.	CONCRETE	WEIGHT	FINISH OPTIONS
1			4			SCALE				560 LBS.	
2			5			1/8					
3			6								

WAUSAU TILE SITE FURNISHINGS				P.O. BOX 1520 WAUSAU, WISCONSIN 54402-1520 800/298-8728			
E-MAIL: TITEL@WAUSAUTILE.COM				WEB SITE: WWW.WAUSAUTILE.COM			
UNLESS OTHERWISE SPECIFIED DIMENSIONS ARE IN INCHES FRACTIONS ± 1/8				DATE 04/21/10			
				DWG. NO. WS-120			