

REVISIONS		
NAME	DATE	NOTES
1	---	---
2	---	---
3	---	---
4	---	---
5	---	---
6	---	---
7	---	---
8	---	---

CONFIDENTIAL INFORMATION
 THESE DRAWING, SPECIFICATIONS AND
 OTHER INFORMATION AND DOCUMENTS
 ACCOMPANYING THEM ARE THE
 CONFIDENTIAL AND PROPRIETARY PROPERTY
 OF WAUSAU TILE, INC. THE DRAWINGS
 THEMSELVES SHALL BELONG TO THE
 OWNER FOR USE ONLY ON THE PROJECT.
 ANY ADDITIONAL USE SHALL REQUIRE THE
 PRIOR WRITTEN APPROVAL OF WAUSAU
 TILE, INC. THE PROPRIETARY INFORMATION
 CONTAINED WITHIN THE DRAWINGS AND THE
 DOCUMENTS IS AND SHALL REMAIN THE
 SOLE PROPERTY OF WAUSAU TILE, INC

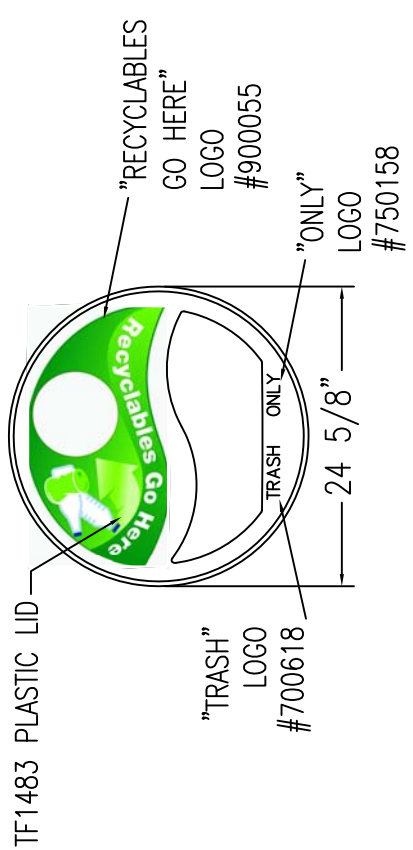
JOB NAME

 WAUSAU, WI

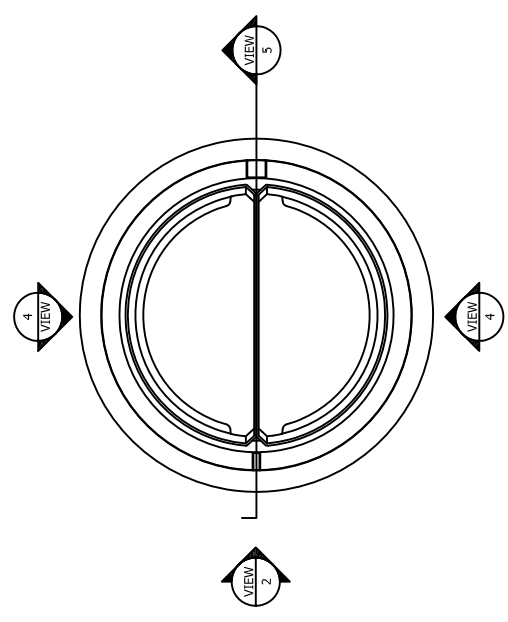
 UNLESS OTHERWISE SPECIFIED
 DIMENSIONS ARE IN INCHES
 FRACTIONS ± 1/8"

 DRAWN BY: TAS
 DATE: 6/28/17
 CO NUMBER: ?
 WEIGHT: 960 LBS

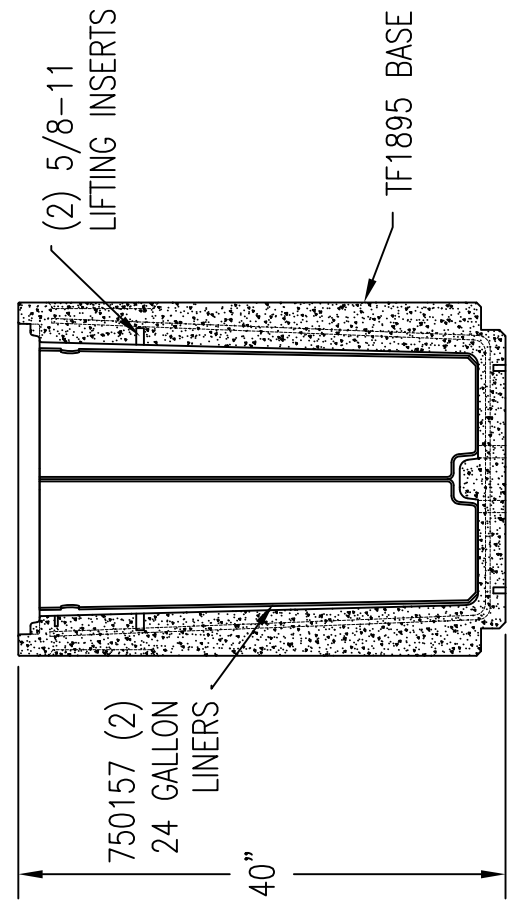
NOTE: LIFTING
 INSERTS ONLY TO BE
 USED WHEN WASTE
 CONTAINER IS EMPTY



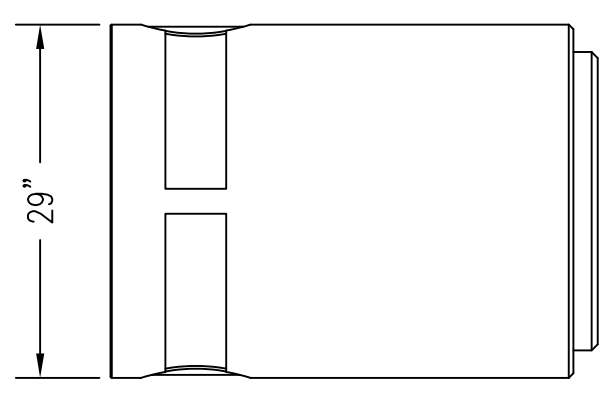
3 TOP VIEW OF LID TF1483
 Scale: 1/16" = 1"



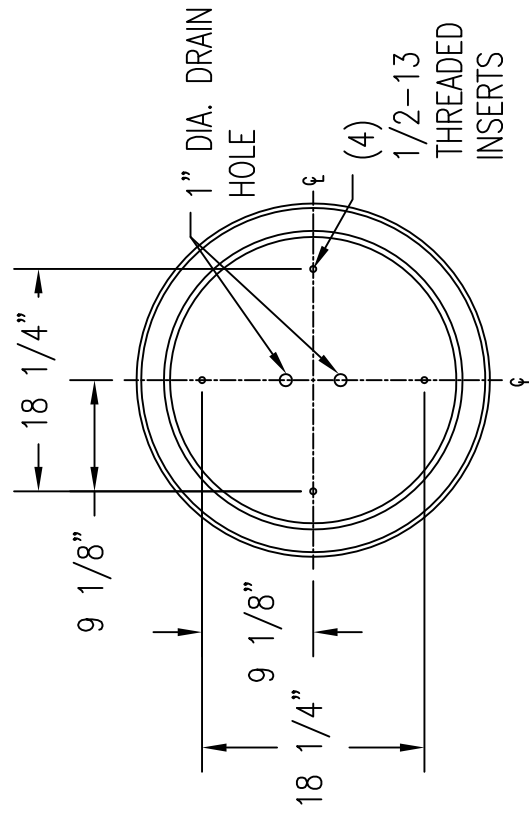
1 TOP VIEW
 Scale: 1/16" = 1"



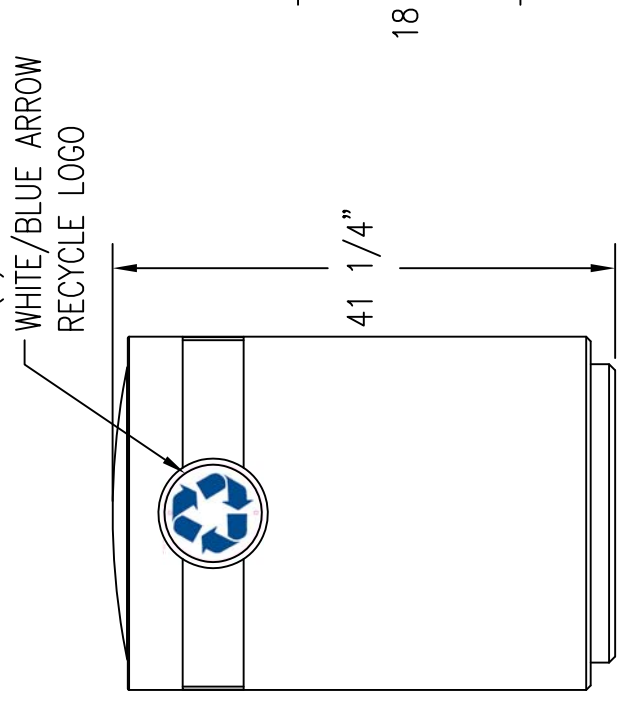
5 SECTION VIEW
 Scale: 1/16" = 1"



2 SIDE ELEVATION
 Scale: 1/16" = 1"



6 BOTTOM VIEW
 Scale: 1/16" = 1"



4 FRONT & BACK ELEVATION
 Scale: 1/16" = 1"