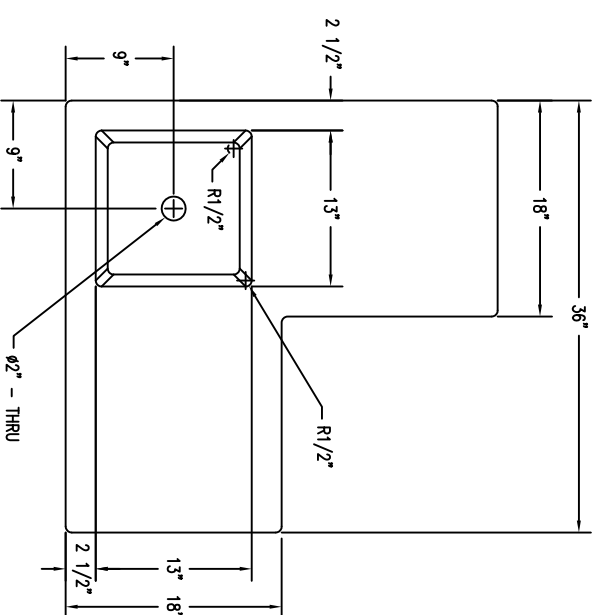
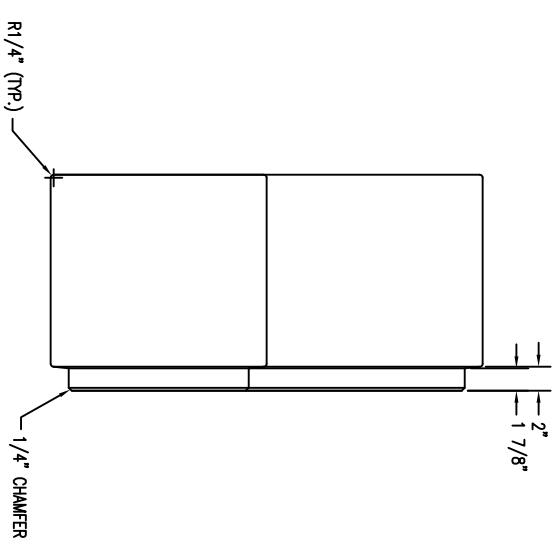


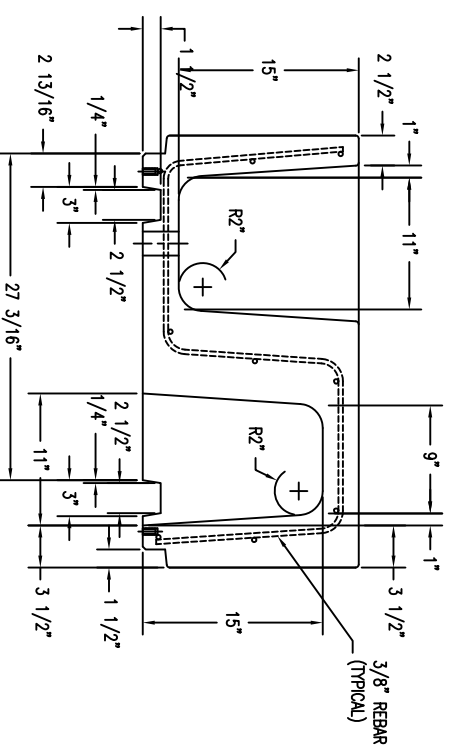
4 LEFT SIDE VIEW OF BENCH WS-119  
Scale: 1/8" = 1"



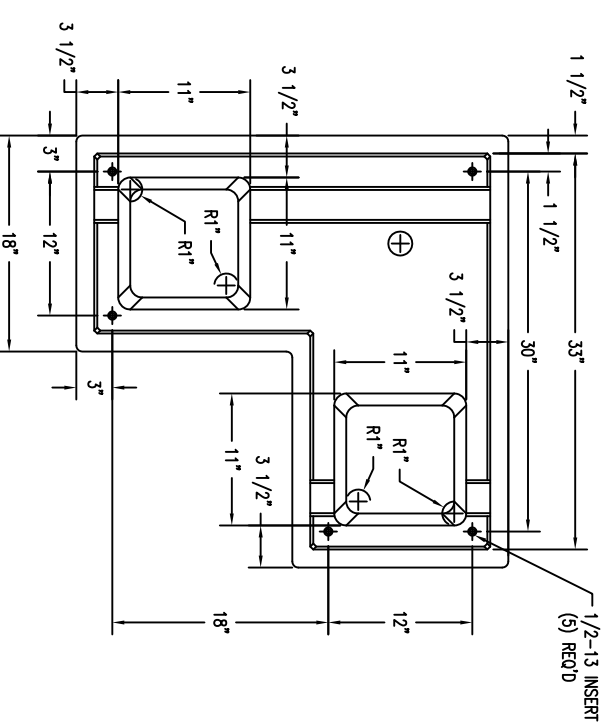
1 TOP VIEW OF BENCH WS-119  
Scale: 1/8" = 1"



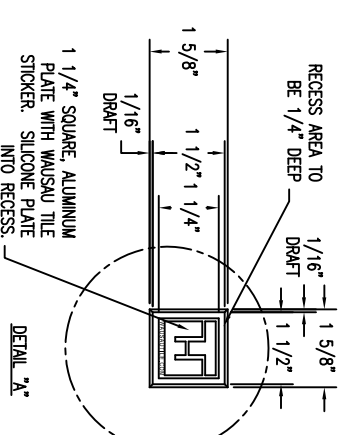
5 RIGHT SIDE VIEW OF BENCH WS-119  
Scale: 1/8" = 1"



2 CROSS SECTION OF BENCH WS-119  
Scale: 1/8" = 1"



3 BOTTOM VIEW OF BENCH WS-119  
Scale: 1/8" = 1"



6 ENLARGE DETAIL OF LOGO & RECESS  
Scale: 1/2" = 1"

REVISIONS						DRAWN BY		JOB		MATERIAL	
NO.	DATE	BY	NO.	DATE	BY	TITLE	MJS	JOB NO.	WEIGHT	CONCRETE	
1			4						960 LBS.		
2			5			SCALE		UNLESS OTHERWISE SPECIFIED DIMENSIONS ARE IN INCHES FRACTIONS 1/8			
3			6					DATE	FINISH OPTIONS	DWG. NO.	
								04/21/10		WS-119	

**WAUSAU TILE SITE FURNISHINGS**

P.O. BOX 1520 WAUSAU, WISCONSIN 54982-1520 800/298-8728  
E-MAIL: TITELFURNISH@TELCO.COM  
WEB SITE: WWW.WAUSAUTILE.COM