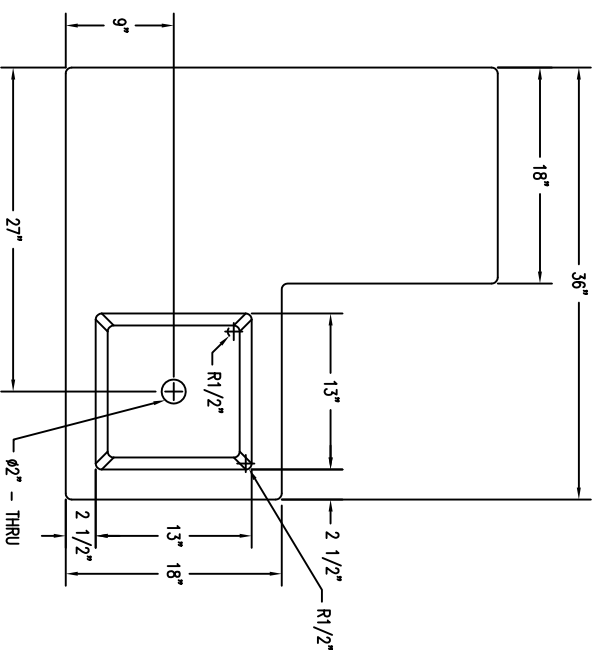
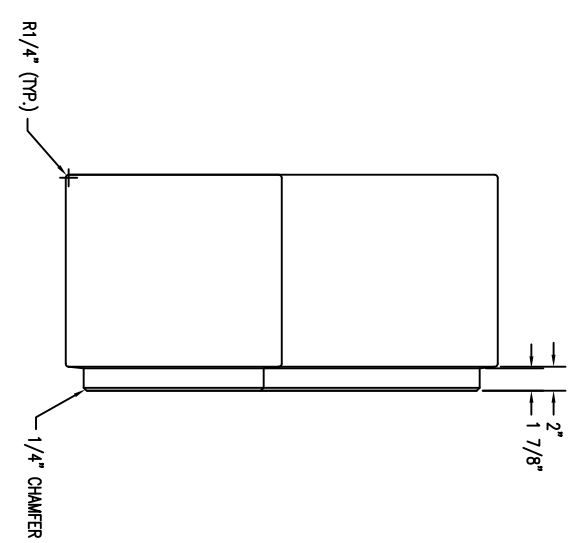


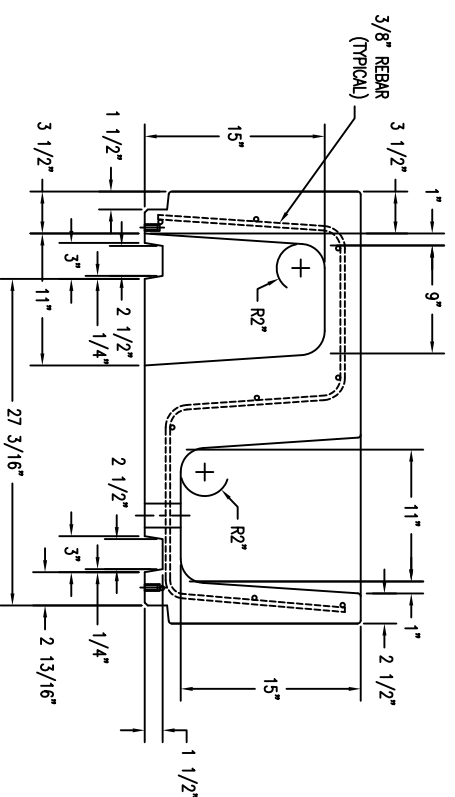
4 LEFT SIDE VIEW OF BENCH WS-118
Scale: 1/8" = 1"



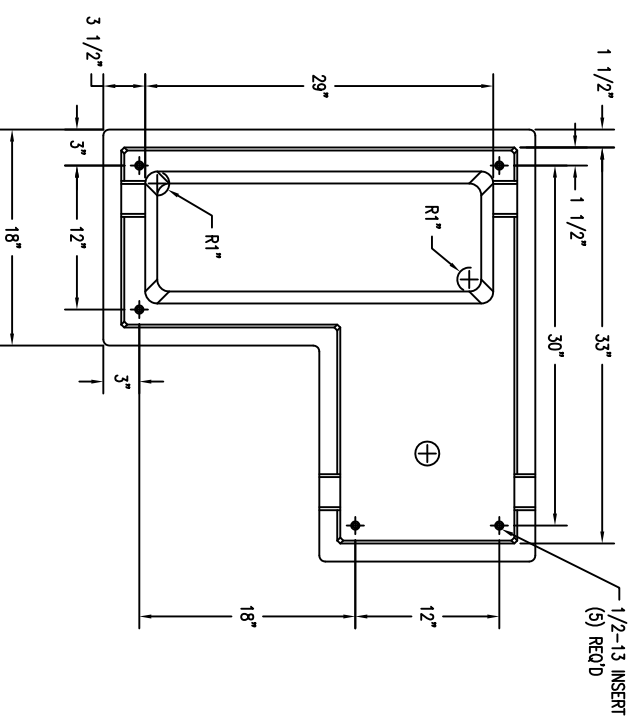
1 TOP VIEW OF BENCH WS-118
Scale: 1/8" = 1"



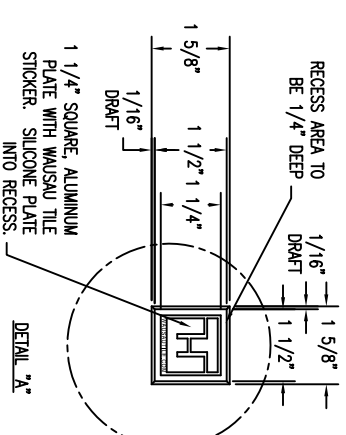
5 RIGHT SIDE VIEW OF BENCH WS-118
Scale: 1/8" = 1"



2 CROSS SECTION OF BENCH WS-118
Scale: 1/8" = 1"



3 BOTTOM VIEW OF BENCH WS-118
Scale: 1/8" = 1"



6 ENLARGE DETAIL OF LOGO & RECESS
Scale: 1/2" = 1"

REVISIONS				DRAWN BY		JOB		MATERIAL	
NO.	DATE	BY	NO.	DATE	BY	NO.	NO.	WEIGHT	
WAUSAU TILE SITE FURNISHINGS									
P.O. BOX 1520 WAUSAU, WISCONSIN 54402-1520 800/298-8728									
E-MAIL: TITEL@WAUSAUTILE.COM									
WEB SITE: WWW.WAUSAUTILE.COM									
1			4		MJS			960 LBS.	CONCRETE
2			5		TITLE				
3			6		SCALE				
							UNLESS OTHERWISE SPECIFIED	DATE	FINISH
							DIMENSIONS ARE IN INCHES	12/23/09	OPTIONS
							FRACTIONS 1/8"		DWG. NO.
									WS-118