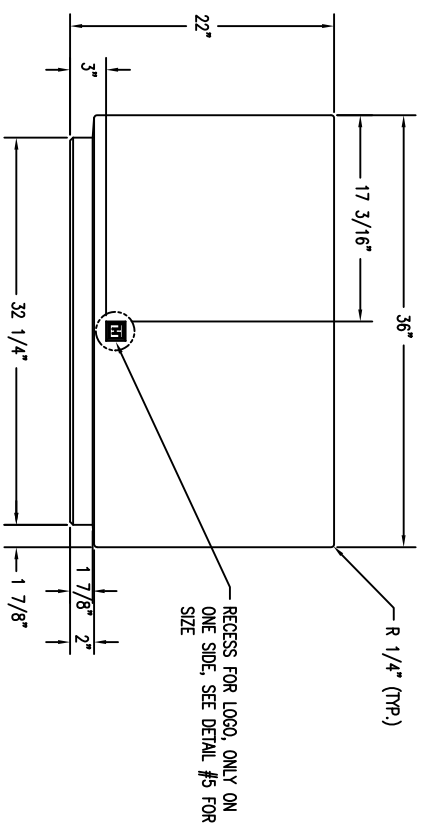
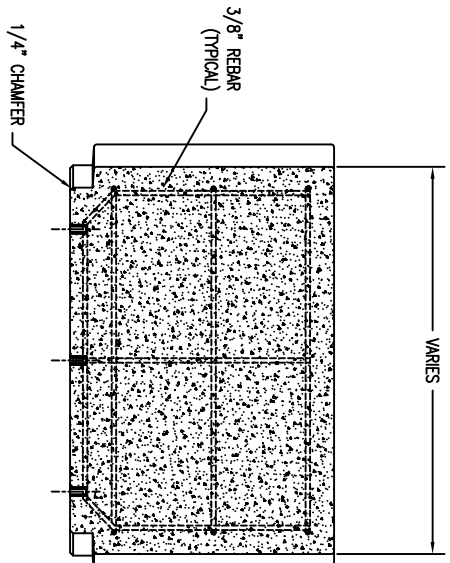


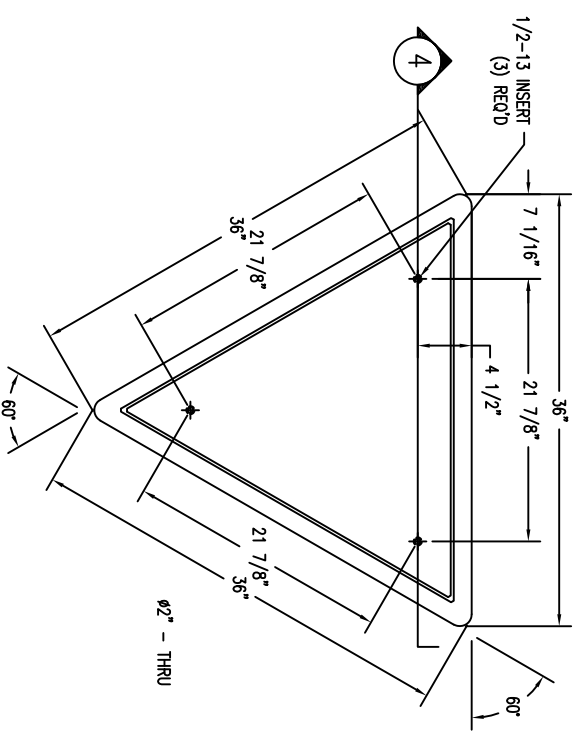
1 TOP VIEW OF BENCH WS-116  
Scale: 1/8" = 1"



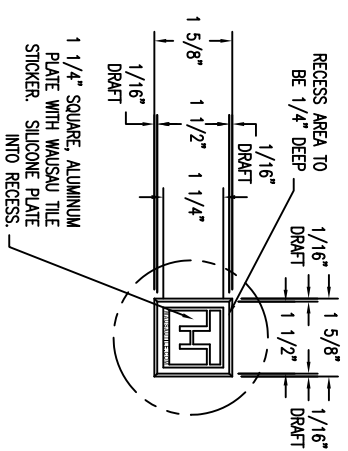
2 ELEVATION VIEW OF BENCH WS-116  
Scale: 1/8" = 1"



4 CROSS SECTION OF BENCH WS-116  
Scale: 1/8" = 1"



3 BOTTOM VIEW OF BENCH WS-116  
Scale: 1/8" = 1"



5 ENLARGE DETAIL OF LOGO & RECESS  
Scale: 1/2" = 1"

REVISIONS						DRAWN BY		P.A.W.		JOB		MATERIAL	
NO.	DATE	BY	NO.	DATE	BY	JOB NO.	LOCATION	WEIGHT	APPROX.	ITEM NO.	FINISH OPTIONS	DWG. NO.	1 OF 1
1			4							WS-116			
2			5										
3			6										

<b>WAUSAU TILE SITE FURNISHINGS</b>											
P.O. BOX 1520 WAUSAU, WISCONSIN 54402-1520 800/298-8728											
E-MAIL: TILES@WAUSAUTILE.COM											
WEB SITE: WWW.WAUSAUTILE.COM											
JOB NO. _____ LOCATION _____											
DATE: 2/25/10											
UNLESS OTHERWISE SPECIFIED DIMENSIONS ARE IN INCHES TOLERANCES ± 1/8"											
SCALE: AS NOTED											
DATE: 2/25/10											
FINISH OPTIONS _____											
DWG. NO. 1 OF 1											