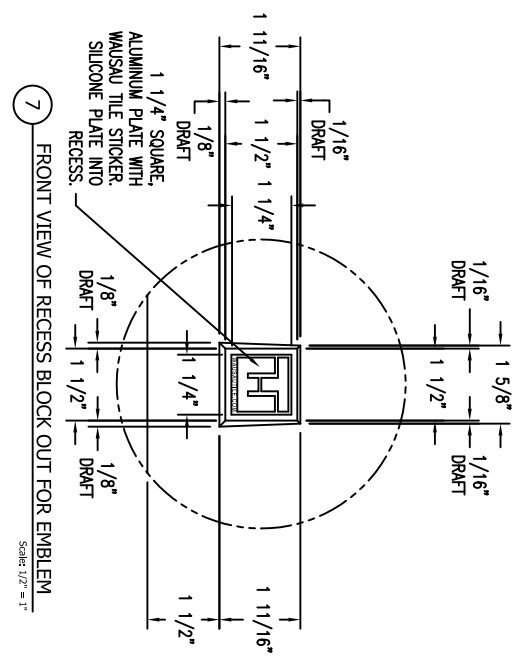
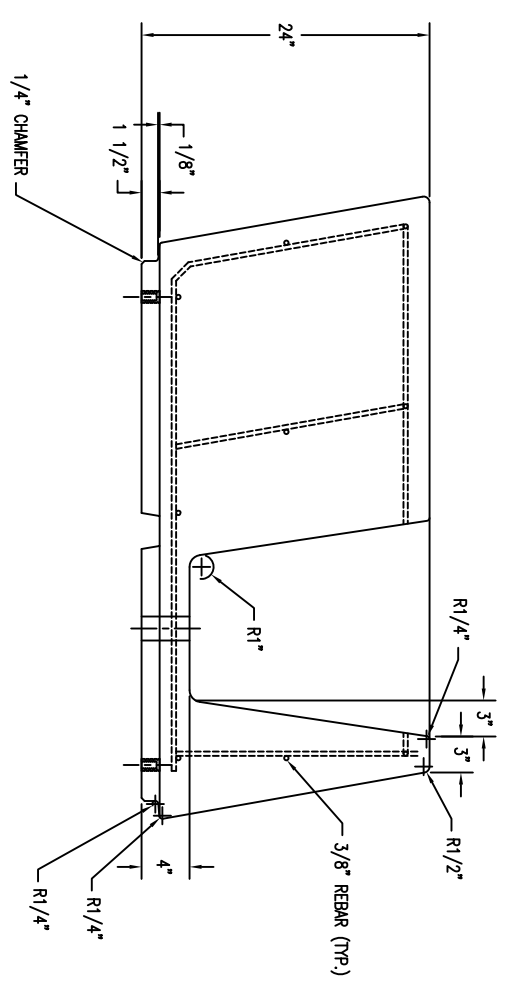
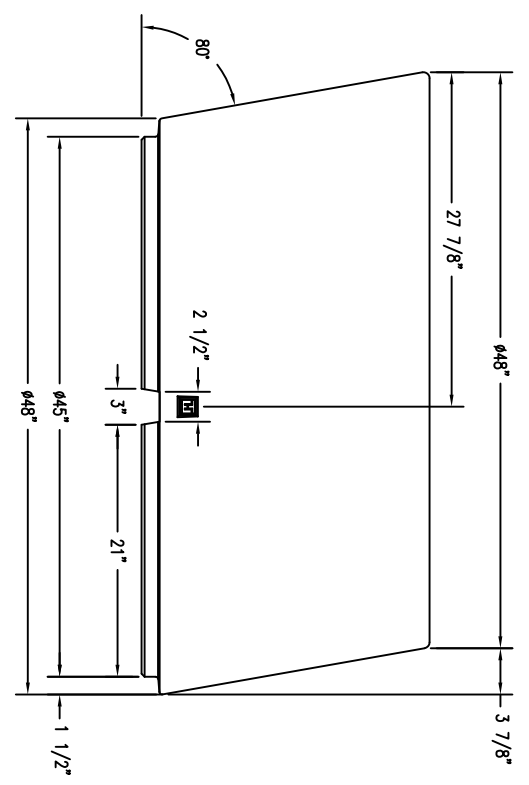


6 TOP VIEW OF RECESS BLOCK CUT OUT FOR EMBLEM
Scale: 1/2" = 1"



7 FRONT VIEW OF RECESS BLOCK CUT OUT FOR EMBLEM
Scale: 1/2" = 1"



REVISIONS						DRAWN BY			JOB			MATERIAL		
NO.	DATE	BY	NO.	DATE	BY	TITLE	MUS	JOB NO.	CONCRETE	WEIGHT	FINISH OPTIONS	DATE	DWG. NO.	
1			4							3,500 LBS.		12/02/10	WS-114	
2			5			SCALE	1/8	UNLESS OTHERWISE SPECIFIED DIMENSIONS ARE IN INCHES FRACTIONS 1/8"						
3			6											

WAUSAU TILE SITE FURNISHINGS

P.O. BOX 1501 WAUSAU, WISCONSIN 54402-1501 800/398-8728
E-MAIL: TITELMUN@WIAT.COM
WEB SITE: WWW.WAUSAUTILE.COM