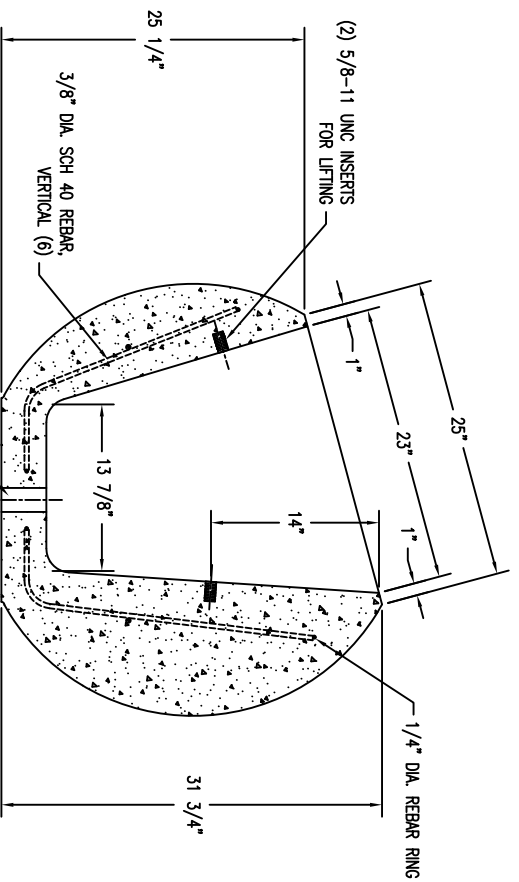
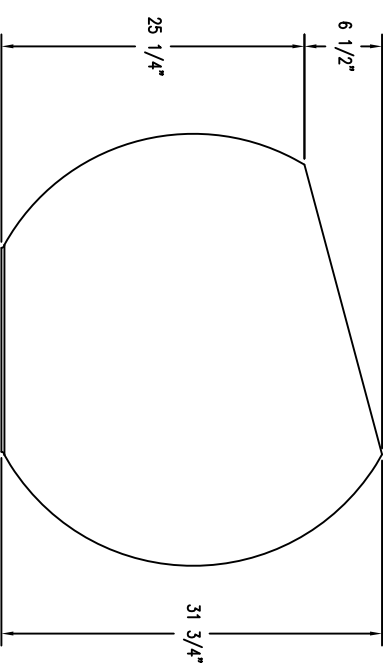


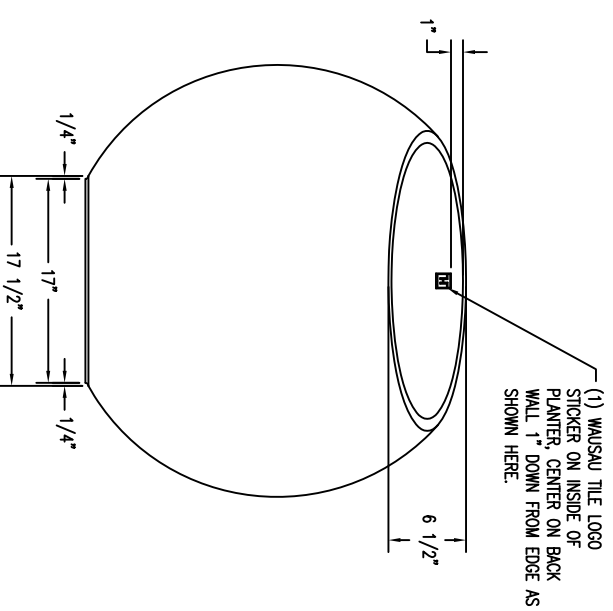
1 TOP VIEW
Scale: 1/8" = 1"



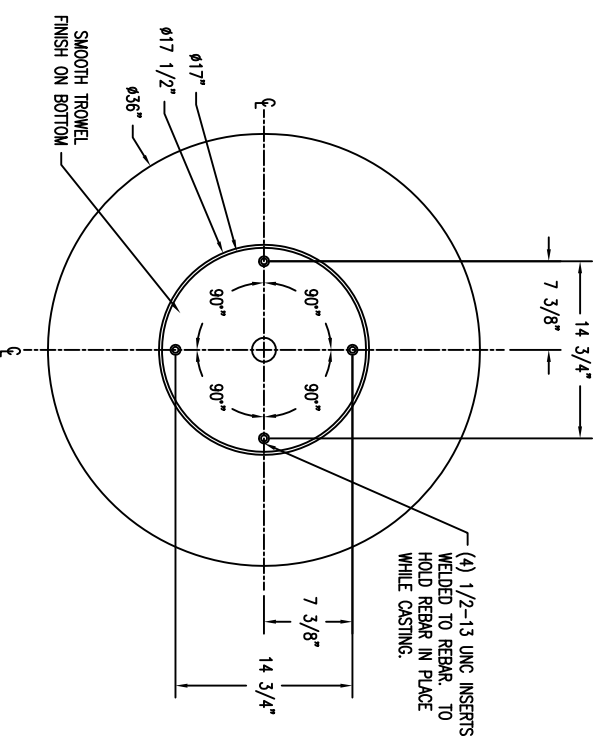
3 SECTION VIEW
Scale: 1/8" = 1"



2 SIDE ELEVATION
Scale: 1/8" = 1"



5 FRONT ELEVATION
Scale: 1/8" = 1"



4 BOTTOM VIEW
Scale: 1/8" = 1"

REVISION	DESCRIPTION	DRAWN BY	DATE
1	UPDATED DIMENSIONS	PAV	3/18/10
2			
3			
4			

WAUSAU TILE		P.O. BOX 1520 WAUSAU, WISCONSIN 54982-1520 800/298-8728	
DRAWN BY: RJH		E-MAIL: TITEL@WAUSAUTILE.COM	
JOB NO.:		WEB SITE: WWW.WAUSAUTILE.COM	
SCALE: AS NOTED		MATERIAL: CONCRETE	
UNLESS OTHERWISE SPECIFIED DIMENSIONS ARE IN INCHES TOLERANCES ±1/8"		WEIGHT: 1,226 LBS W/PALLET	
FINISH OPTIONS:		DATE: 9/9/03	
		ITEM NO.: WS-1111	
		DWG. NO.: 1 OF 1	