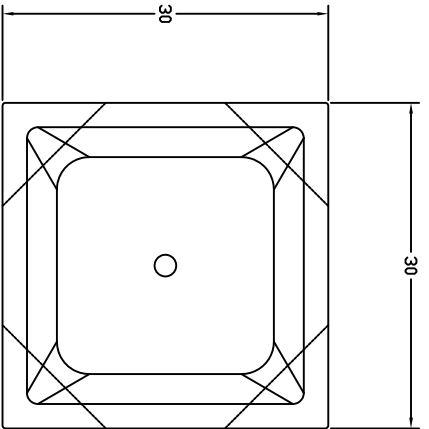
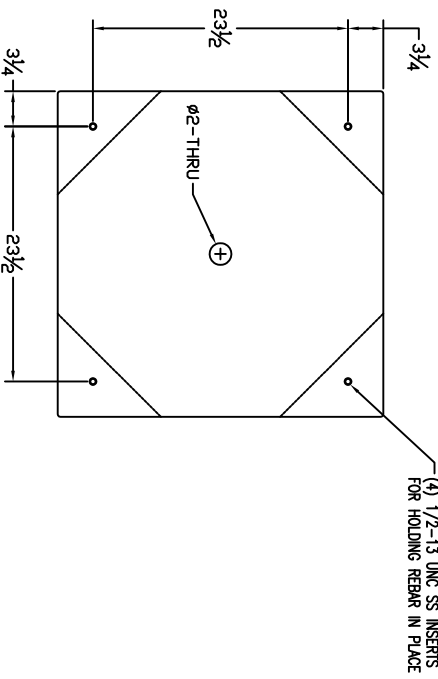


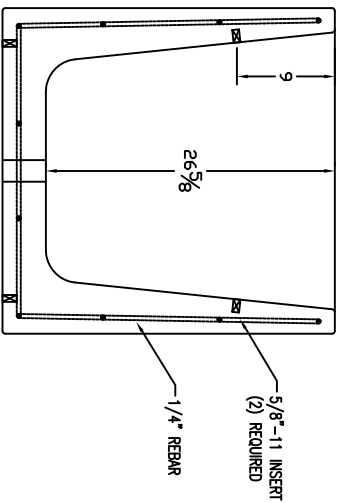
FRONT VIEW



TOP VIEW



BOTTOM VIEW



SECTION VIEW

WATSAU TILE SITE FURNISHINGS									
REVISIONS		DRAWN BY		L.S.C.		JOB NO.		INDUSTRIAL	
NO.	DATE	BY	NO.	DATE	BY	TITLE	JOB NO.	REBAR	CONCRETE
1			4					1.135 LBS	
2			5						
3			6						

1.4. 400 31. 4100
 1.4. 400 31. 4100