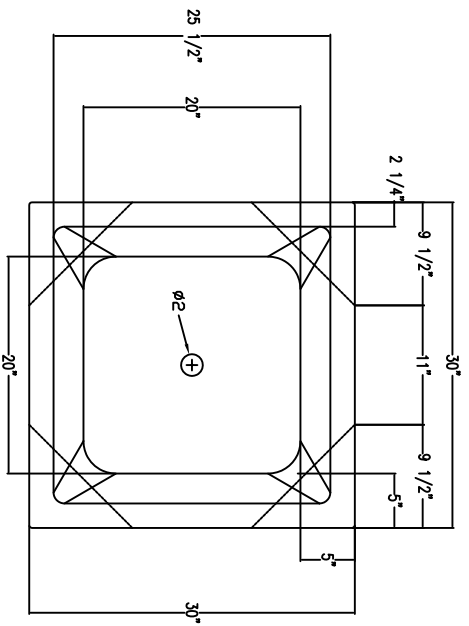
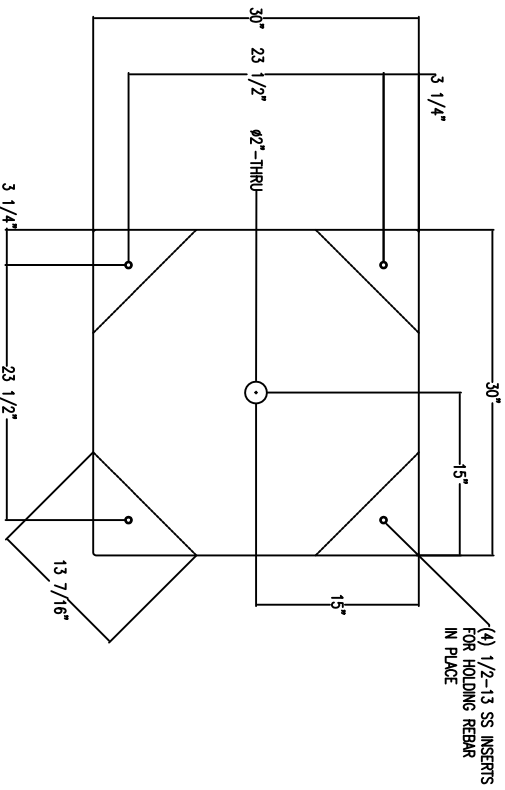


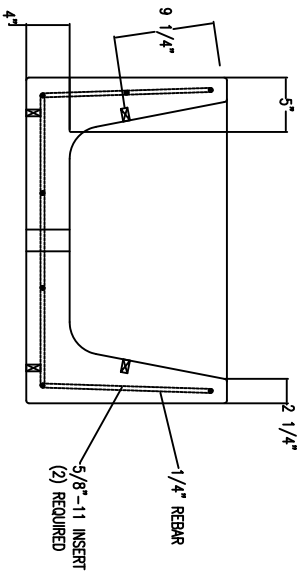
FRONT VIEW



TOP VIEW



(4) 1/2-13 SS INSERTS
FOR HOLDING REBAR
IN PLACE



SECTION VIEW

BOTTOM VIEW

WALSLEY TILE SITE FURNISHINGS									
REVISIONS					DRAWN BY L.B.C.				
NO.	DATE	BY	NO.	DATE	BY	TITLE	JOB NO.	DATE	BY
1			4						
2			5						
3			6						

14. INC. 2000	15. INC. 2000	16. INC. 2000	17. INC. 2000	18. INC. 2000	19. INC. 2000	20. INC. 2000	21. INC. 2000	22. INC. 2000	23. INC. 2000
24. INC. 2000	25. INC. 2000	26. INC. 2000	27. INC. 2000	28. INC. 2000	29. INC. 2000	30. INC. 2000	31. INC. 2000	32. INC. 2000	33. INC. 2000

FINISH	CONCRETE
WEIGHT	745 L.B.S
FINISH	
OPTIONS	
DWG. NO.	SL-4105