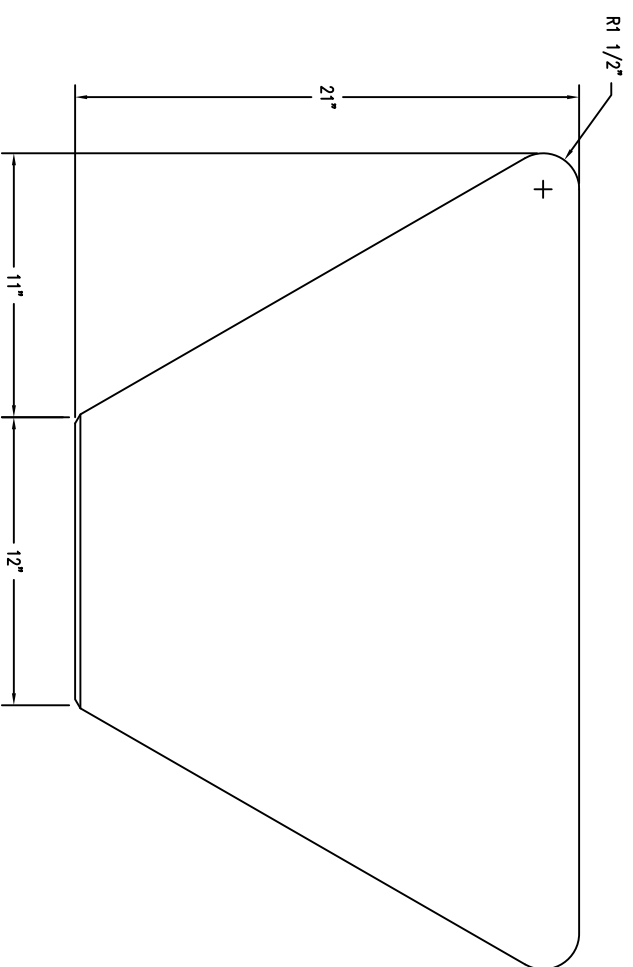
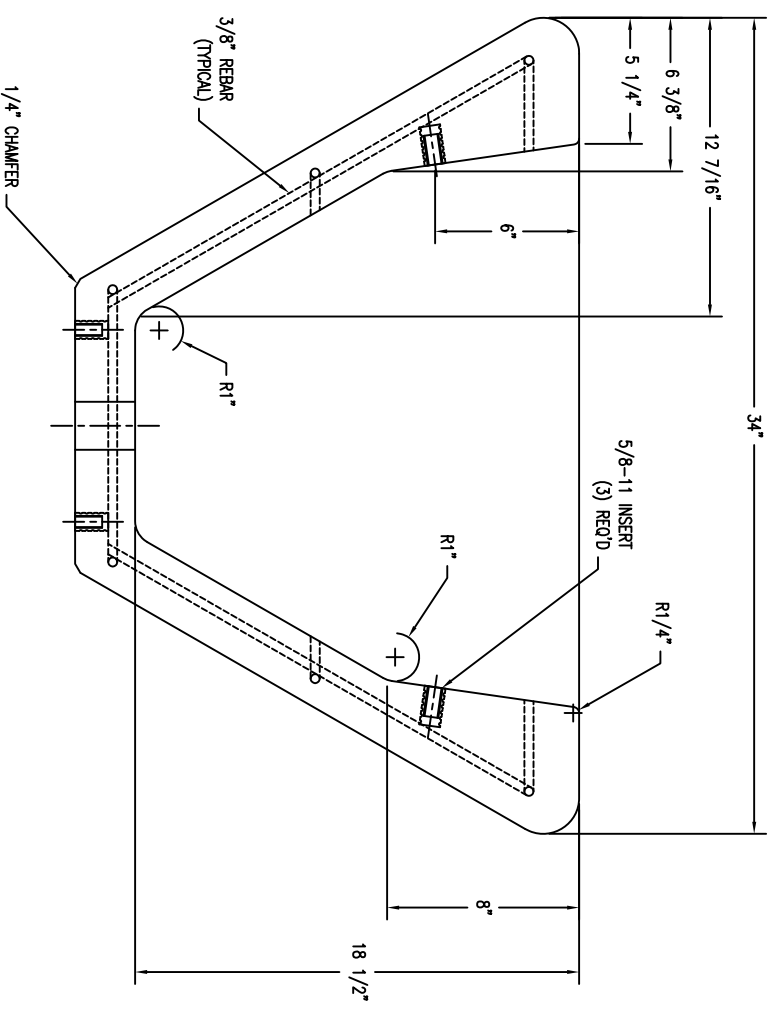


1 TOP VIEW OF BENCH WS-106
Scale: 1/8" = 1"



2 ELEVATION VIEW OF BENCH WS-106
Scale: 1/8" = 1"



3 SECTION VIEW OF BENCH WS-106
Scale: 1/8" = 1"

REVISIONS						DRAWN BY		JOB		MATERIAL	
NO.	DATE	BY	NO.	DATE	BY	TITLE	MJS	JOB NO.	WEIGHT	FINISH OPTIONS	DWG. NO.
1			4						525 LBS.		WS-106
2			5			SCALE		UNLESS OTHERWISE SPECIFIED DIMENSIONS ARE IN INCHES FRACTIONS 1/8"			
3			6			1/4					

WAUSAU TILE SITE FURNISHINGS
P.O. BOX 1520 WAUSAU, WISCONSIN 54485-1520 800/298-8728
E-MAIL: TITELUM@WAUSAUTILE.COM
WEB SITE: WWW.WAUSAUTILE.COM