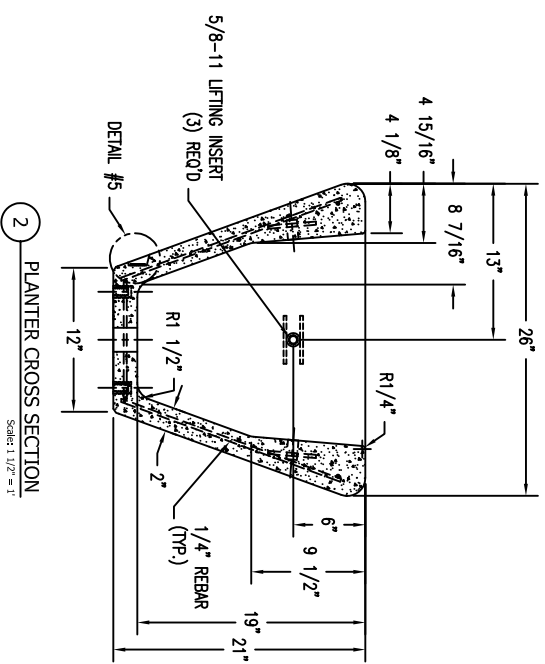
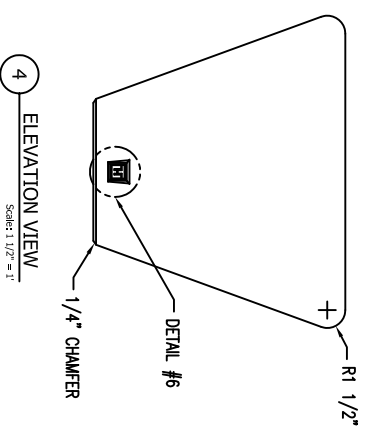


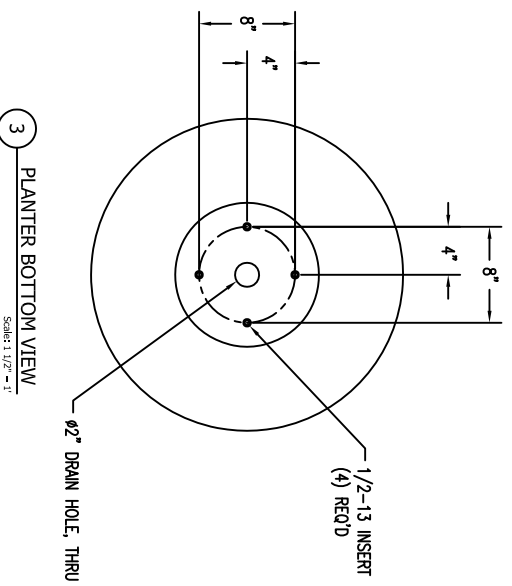
1 PLANTER TOP VIEW  
SCALE: 1 1/2" = 1"



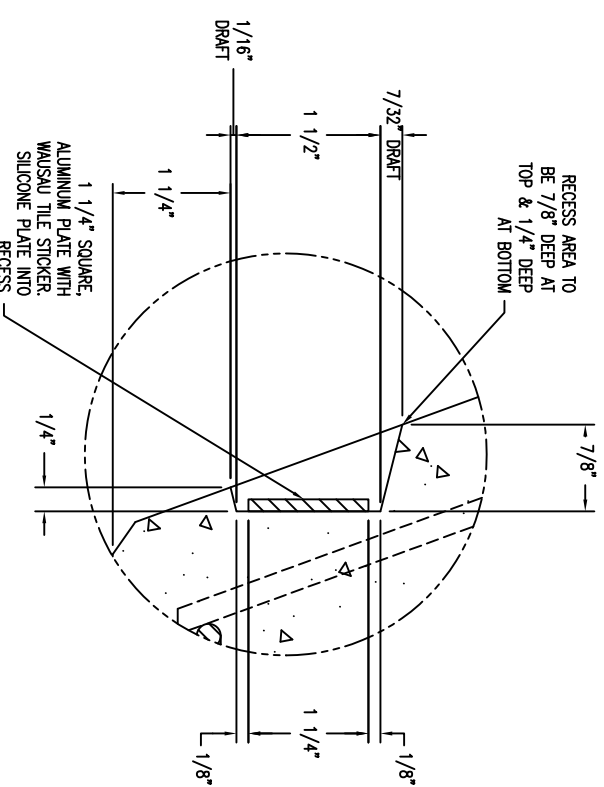
2 PLANTER CROSS SECTION  
SCALE: 1 1/2" = 1"



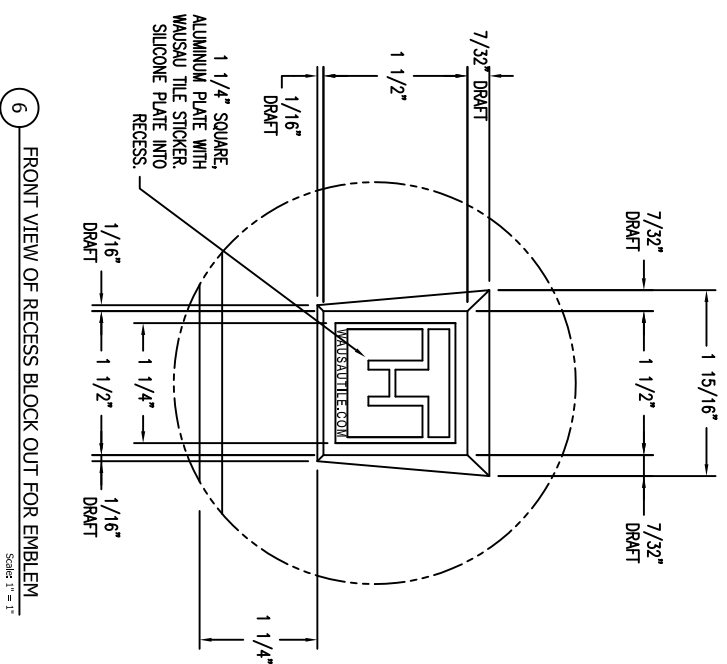
4 ELEVATION VIEW  
SCALE: 1 1/2" = 1"



3 PLANTER BOTTOM VIEW  
SCALE: 1 1/2" = 1"



5 BLOWN UP CROSS SECTION OF RECESS AREA  
SCALE: 1" = 1"



6 FRONT VIEW OF RECESS BLOCK OUT FOR EMBLEM  
SCALE: 1" = 1"

REVISIONS						DRAWN BY		JOB	
NO.	DATE	BY	NO.	DATE	BY	PAW	LOCATION	MATERIAL	WEIGHT
1			4					CONCRETE	— LBS
2			5						
3			6						

<b>WAUSAU TILE SITE FURNISHINGS</b>				P.O. BOX 1520 WAUSAU, WISCONSIN 54402-1520 800/298-8728	
				E-MAIL: TITEL@WAUSAUTILE.COM	
				WEB SITE: WWW.WAUSAUTILE.COM	
				DATE: 10/14/10	
				ITEM NO: WS-104	
				DWG. NO: 1 OF 1	