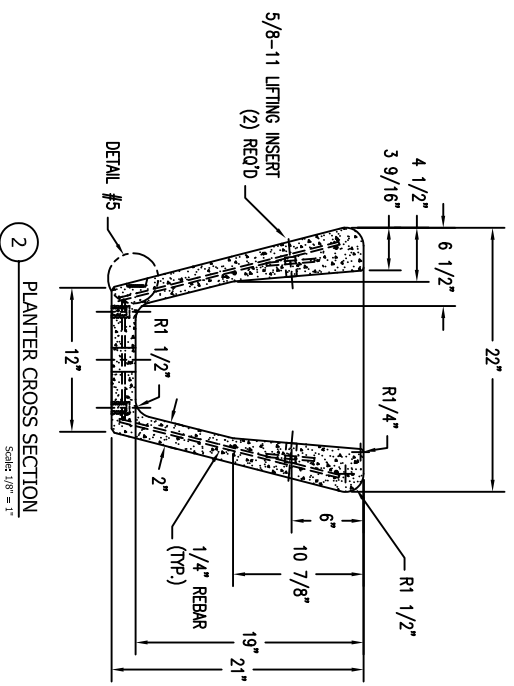
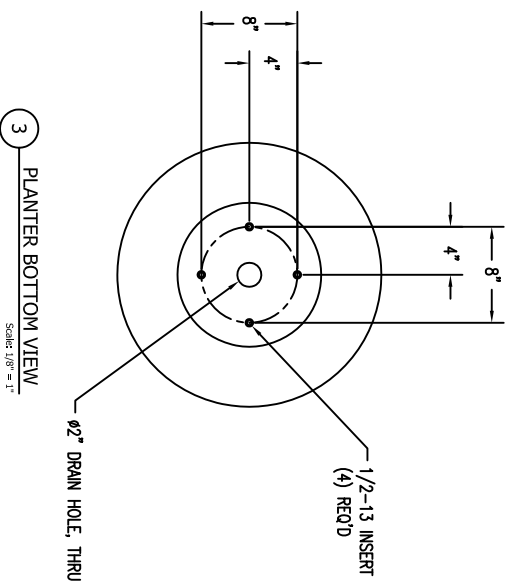


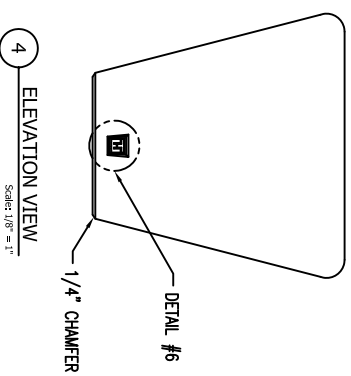
1 PLANTER TOP VIEW
Scale: 1/8" = 1"



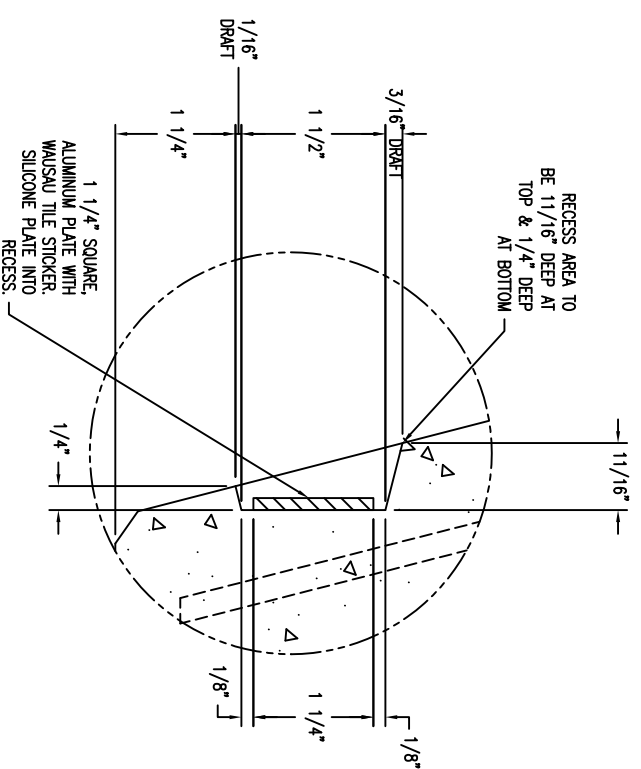
2 PLANTER CROSS SECTION
Scale: 1/8" = 1"



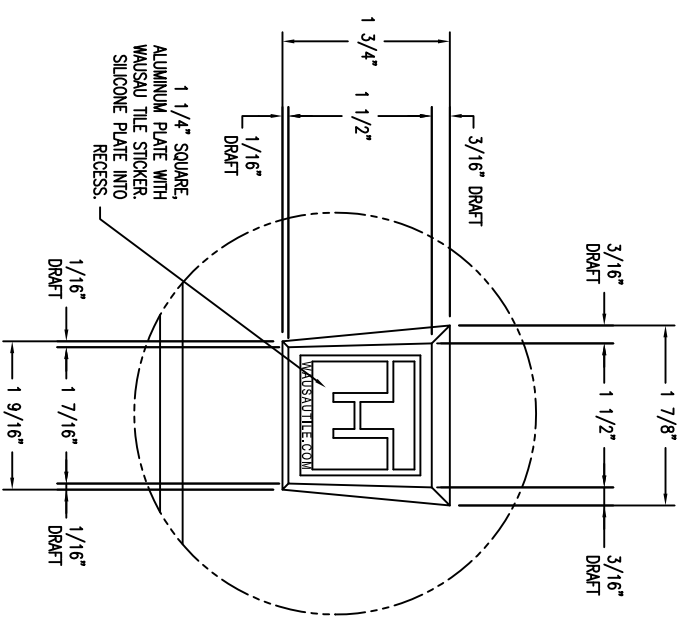
3 PLANTER BOTTOM VIEW
Scale: 1/8" = 1"



4 ELEVATION VIEW
Scale: 1/8" = 1"



5 BLOWN UP CROSS SECTION OF RECESS AREA
Scale: 1" = 1"



6 FRONT VIEW OF RECESS BLOCK OUT FOR EMBLEM
Scale: 1" = 1"

REVISIONS						DRAWN BY		JOB		MATERIAL	
NO.	DATE	BY	NO.	DATE	BY	JOB NO.	MARK	LOCATION	WEIGHT	CONCRETE	LBS
1			4								
2			5								
3			6								

WAUSAU TILE SITE FURNISHINGS				P.O. BOX 1520 WAUSAU, WISCONSIN 54402-1520 800/298-8728			
				E-MAIL: TITEL@WAUSAUTILE.COM			
				WEB SITE: WWW.WAUSAUTILE.COM			
				UNLESS OTHERWISE SPECIFIED DIMENSIONS ARE IN INCHES TOLERANCES ± 1/8"			
				DATE: 3/14/11			
				ITEM NO. WS-103			
				DWG. NO. 1 OF 1			