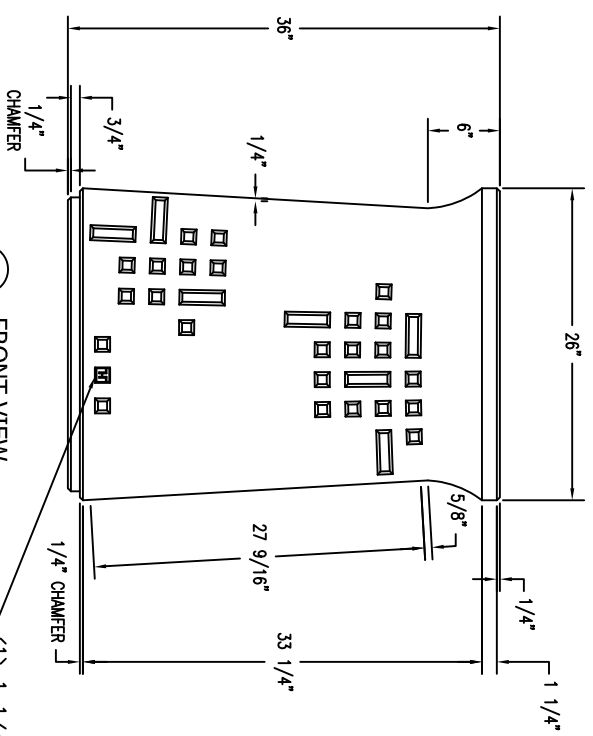
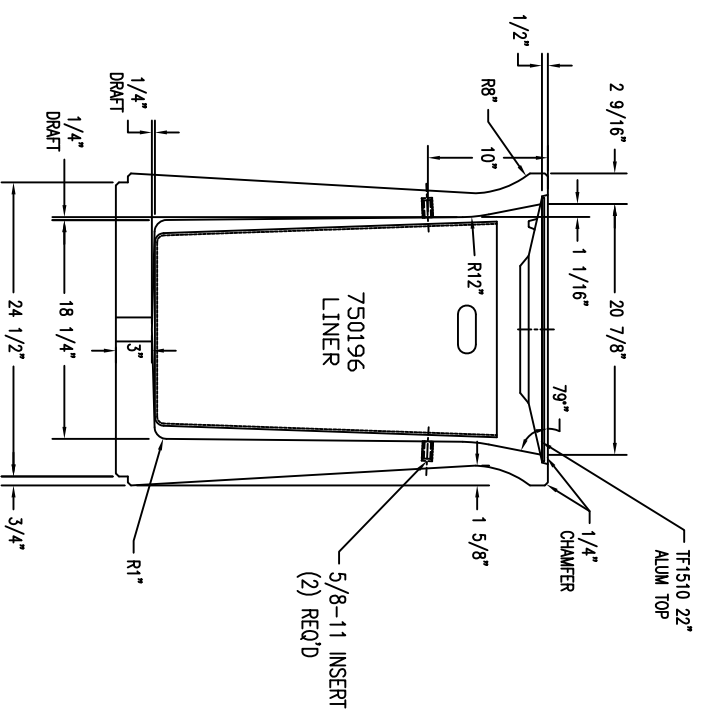


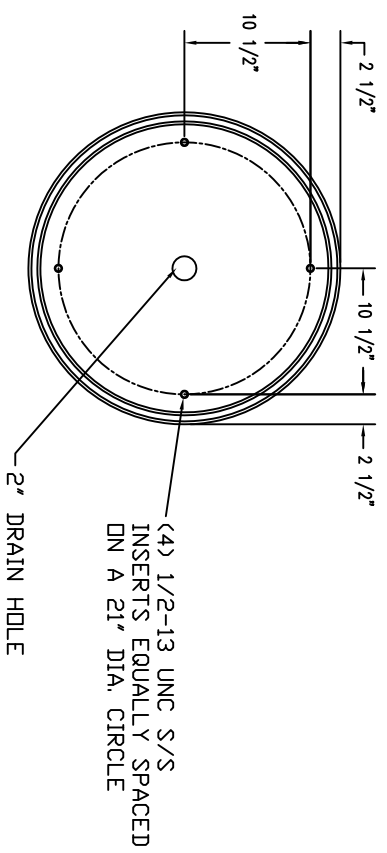
3 TOP VIEW
Scale: 1/8" = 1"



1 FRONT VIEW
Scale: 1/8" = 1"
(1) 1 1/4" SQUARE, ALUMINUM PLATE WITH WAUSAU TILE STICKER, SILICONE PLATE INTO ONE OF THE BOTTOM SQUARES.



4 SECTION VIEW
Scale: 1/8" = 1"



2 BOTTOM VIEW
Scale: 1/8" = 1"

2" DRAIN HOLE

(4) 1 1/2-13 UNC S/S INSERTS EQUALLY SPACED ON A 21" DIA. CIRCLE

WAUSAU TILE SITE FURNISHINGS

REVISIONS						DRAWN BY		JOB		MATERIAL	
NO.	DATE	BY	NO.	DATE	BY	JOB NO.	LBE	LOCATION	WEIGHT	CONCRETE	
1			4								
2			5								
3			6								
SCALE AS NOTED						UNLESS OTHERWISE SPECIFIED DIMENSIONS ARE IN INCHES TOLERANCES ± 1/8"		DATE 8-31-09		ITEM NO. WS-101	
						FINISH OPTIONS		DWG. NO. 1 OF 1			

P.O. BOX 1520 WAUSAU, WISCONSIN 54402-1520 800/298-8728
E-MAIL: TILES@WAUSAUTILE.COM
WEB SITE: WWW.WAUSAUTILE.COM