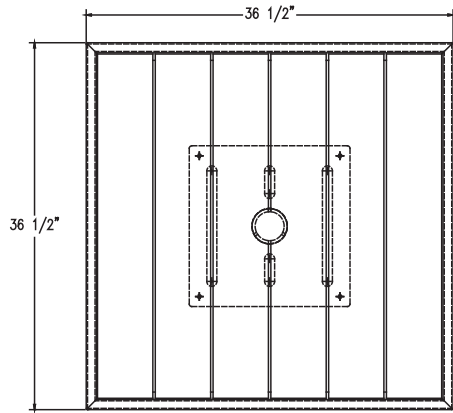


# Urban Tables

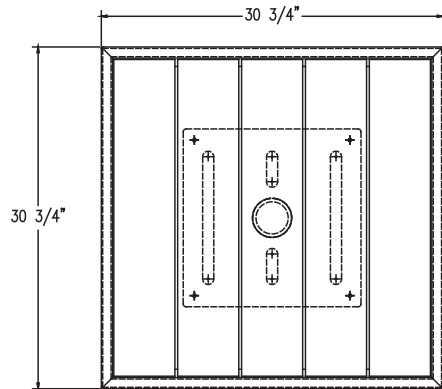
Surface Mount Dining Tables with Umbrella Hole  
Bar Height

**Product Data**

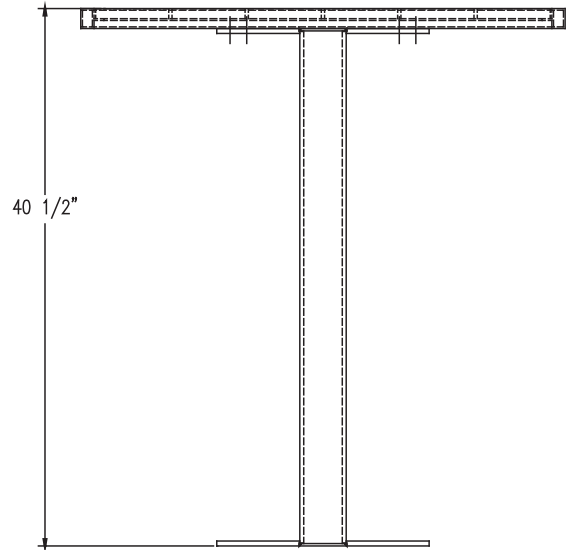
Size	1164	36" sq x 40.5" h
	1163	31" sq x 40.5" h
Material	Aluminum Frame Aluminum Boards Galvanized Post	
Anchoring	Surface Mount	



**TOP VIEW 1164**



**TOP VIEW 1163**



**ELEVATION VIEW**

Site Furnishings Limited Warranty:

For a period of two (2) years for concrete products, one (1) year for plastic products and five (5) years for metal products when the customer has received their product, Wausau Tile, Inc. warrants its concrete products against defects in workmanship and materials per industry standards. This warranty does not cover the above products for cracking and faulting caused by settling due to an improper base; nor does it cover damage caused by impact, vandalism or natural disaster.

**CALL FOR FURTHER DETAILS & PRICING.**

P: 800.388.8728 | E: [wtile@wausautile.com](mailto:wtile@wausautile.com) | [WAUSAUTILE.COM](http://WAUSAUTILE.COM)