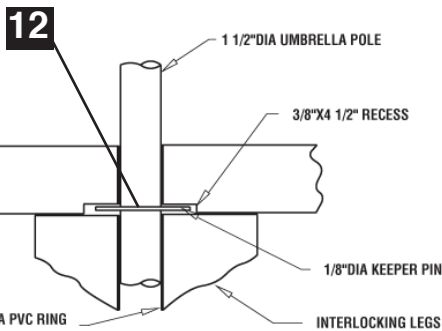
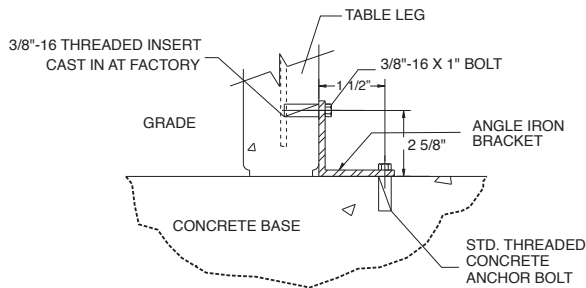
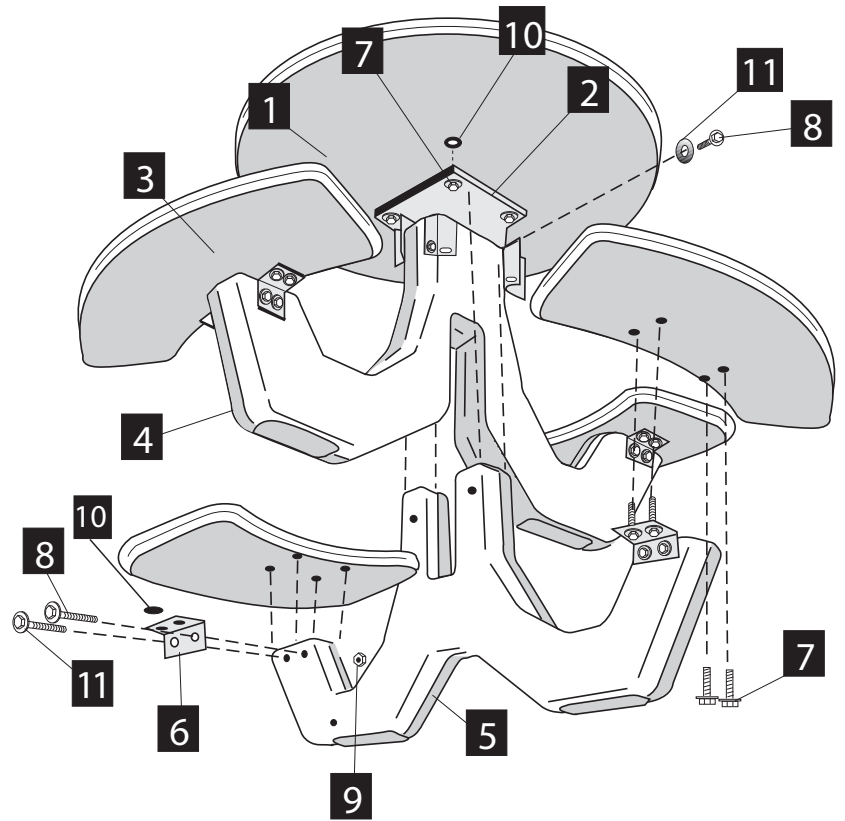


TABLE ANCHOR METHOD



UMBRELLA LOCK



CAUTION

DO NOT OVER TIGHTEN ANY BOLTS
TORQUE ALL FASTENERS TO 25 ft/lbs

Note:

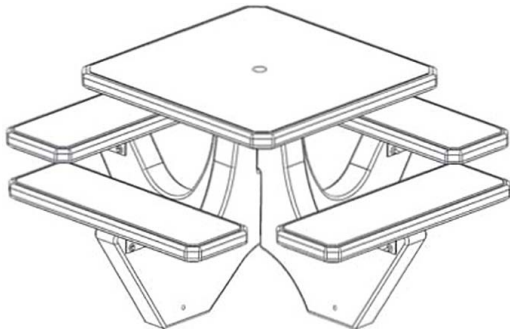
THE TABLE LEG HAS BEEN DESIGNED TO FUNCTION AS YOUR UMBRELLA STAND. REMOVE KNOCK-OUT PLUG IN TABLE TOP PRIOR TO FINAL ASSEMBLY. THIS MEANS THAT THE UMBRELLA POLE DOES NOT REST AT GROUND LEVEL, BUT IS SUPPORTED APPROXIMATELY 18" ABOVE GRADE. YOU MAY WANT TO CUT OFF THE UMBRELLA POLE. (WHEN NOT PURCHASING YOUR UMBRELLA FROM WAUSAU TILE)

WARNING

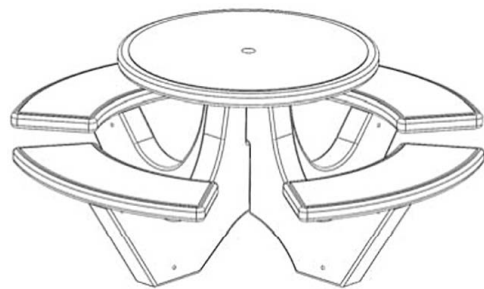
Use of a table/umbrella combination without the keeper pin is UNSAFE. Wind may dislodge the umbrella, causing property damage or personal injury. This hardware kit includes a 3/16" dia x 3" keeper pin for your convenience.

TO REMOVE CENTER PLUG:
TAP CONCRETE CORE INSIDE
PVC RING PRIOR TO ASSEMBLY

PARTS LIST		
ITEM NO.	DESCRIPTION	QTY.
1	Table top	1
2	Table - To - Leg Bracket	1
3	Seat	4
4	Top Interlocking Leg	1
5	Bottom Interlocking Leg	1
6	Seat - To - Leg Bracket	8
7	3/8" x 1" Hex Flange Bolts	20
8	3/8" x 5 1/2" Hex Bolts	12
9	3/8" Locking Hex Nuts	12
10	Neoprene Pad	20
11	3/8" USS Flat Washer	24
12	3/16" Dia. X 3" Keeper Pin	1



TF3120



TF3125

Caution: Table needs to be assembled on a level, hard or compacted surface in its final location. Once table is assembled it should not be moved fully assembled as structural damage may result. Failure to follow these guidelines may cause undue stress on table components and cause structural failure.

*Wausau Tile's warranty does not cover damage caused by improper installation.

1.



ATTACH EIGHT SEAT BRACKETS TO LEG (#3) TO TOP AND BOTTOM INTERLOCKING LEG WITH (#5) 3/8" X 5 1/2" HEX BOLTS, (#7) 3/8" LOCKING HEX NUTS, AND (#6) 3/8" FLAT WASHERS. NOTE: USE 3/8" FLAT WASHERS ON BOTH SIDES OF BRACKET. AFTER INSTALLATION OF BRACKETS ON INTERLOCK LEGS, USE BRACKETS FOR LIFTING AND ASSEMBLY OF INTERLOCK LEGS.

2.



ATTACH (#4) TABLE TO LEG BRACKET TO ASSEMBLED INTERLOCK BASE UTILIZING (#5) 3/8" X 5 1/2" HEX BOLTS, (#7) 3/8" LOCKING HEX NUTS, NEOPRENE PADS FOR EACH BENCH BRACKET. AND (#6) 3/8" FLAT WASHERS. NOTE: USE 3/8" FLAT WASHERS ON BOTH SIDES OF BRACKET.

3.



MOUNT TABLE TOP AND BENCHES TO INSTALLED BRACKETS USING (#11) NEOPRENE PAD AND (#9) 3/8" X 1" HEX FLANGE BOLTS, FOUR BOLTS PER BENCH AND TOP.

4.



COMPLETED TABLE SET READY TO USE.