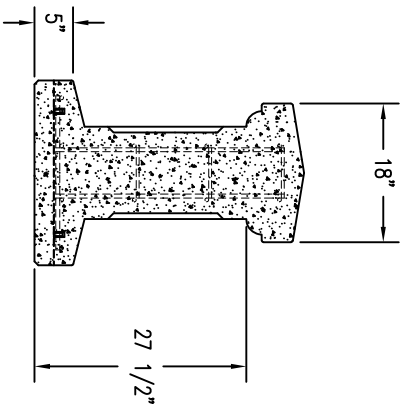
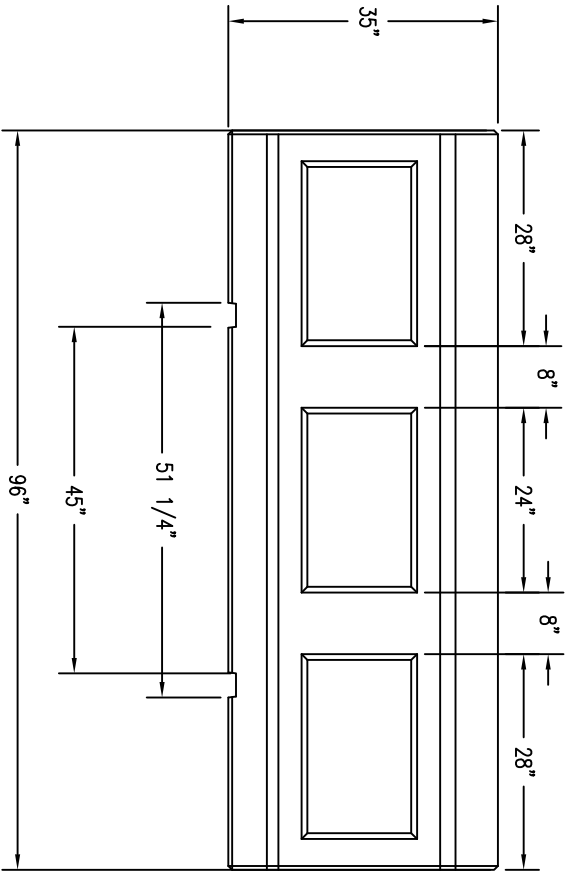


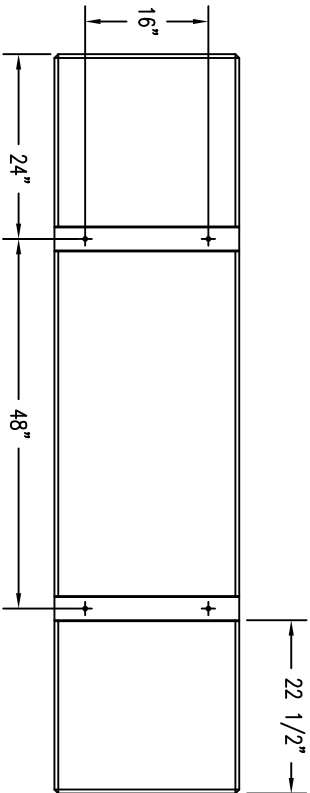
1 TOP VIEW



4 CROSS SECTION



2 ELEVATION VIEW



3 BOTTOM VIEW

MASAU TILE
 P.O. BOX 1520 WISAU, WI 54402-1520
 E-MAIL: WATERMAN@MTC.COM
 WEB SITE: WWW.MASAU TILE.COM

REVISIONS		
NAME	DATE	NOTES
1		
2		
3		
4		
5		
6		
7		
8		

THESE DRAWING, SPECIFICATIONS AND OTHER INFORMATION ARE THE PROPERTY OF MASAU TILE, INC. THE DRAWINGS HEREIN SHALL BELOING TO THE MASAU TILE, INC. THE PROPRIETARY INFORMATION AND THE DESIGN AND THE TRADE NAME OF MASAU TILE, INC. THE PROPRIETARY INFORMATION AND THE TRADE NAME OF MASAU TILE, INC. THE PROPRIETARY INFORMATION AND THE TRADE NAME OF MASAU TILE, INC.

JOB NAME
 ADDRESS
 CITY, STATE ZIP

UNLESS OTHERWISE SPECIFIED
 DIMENSIONS ARE IN INCHES
 FINISHES AS SHOWN

DRAWN BY: SK
 DATE: 6/29/15
 CD NUMBER: 7
 WEIGHT: 3,800 LBS

PRODUCT NO.
TF 8055