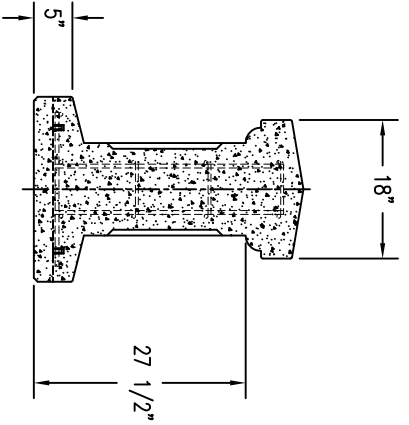
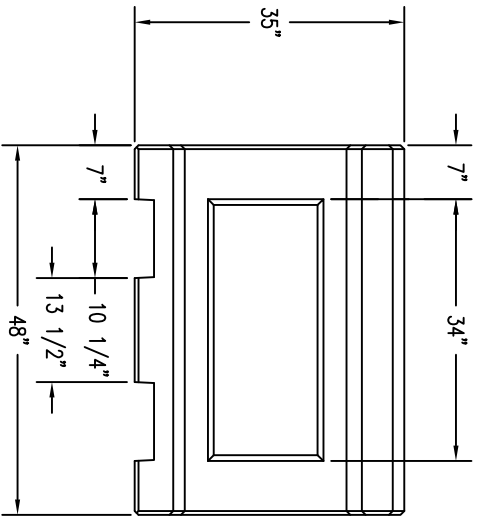


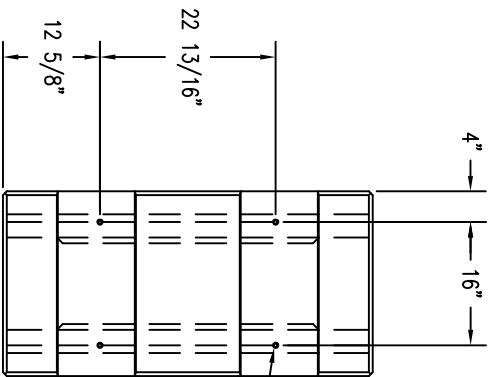
1 TOP VIEW



4 CROSS SECTION



2 ELEVATION VIEW



3 BOTTOM VIEW

(4) 1/2" - 13  
THREADED INSERTS



P.O. BOX 1520 WAUSAU, WI 54402-1520  
E-MAIL: SALES@WAUSAUTILE.COM  
WEB SITE: WWW.WAUSAUTILE.COM

REVISIONS

NO.	NAME	DATE	NOTES
1			
2			
3			
4			
5			
6			
7			
8			

THESE DRAWING, SPECIFICATIONS AND OTHER INFORMATION ARE THE CONFIDENTIAL AND PROPRIETARY PROPERTY OF WAUSAU TILE, INC. THE DRAWINGS HEREON SHALL BELONG TO THE COMPANY AND SHALL REMAIN THE PROPERTY OF WAUSAU TILE, INC. ANY ADDITIONAL USE SHALL REQUIRE THE PRIOR WRITTEN APPROVAL OF WAUSAU TILE, INC. THE PROPRIETARY INFORMATION CONTAINED HEREIN IS UNCLASSIFIED AND IS THE SOLE PROPERTY OF WAUSAU TILE, INC.

JOB NAME  
ADDRESS  
CITY, STATE ZIP

UNLESS OTHERWISE SPECIFIED  
DIMENSIONS ARE IN INCHES  
FRACTIONS 1/8"

DRAWN BY: SK  
DATE: 6/28/15  
CD NUMBER: 7  
WEIGHT: 1.915 LBS

PRODUCT NO.  
TF 8054