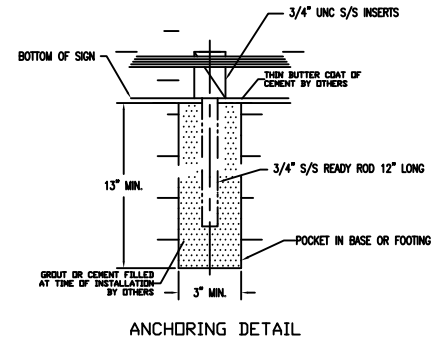
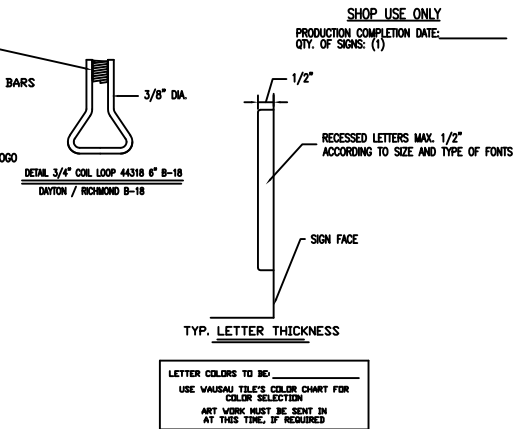
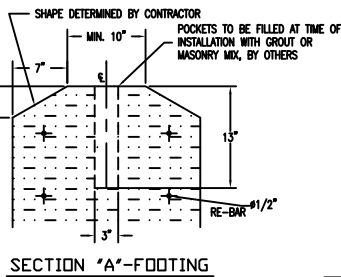
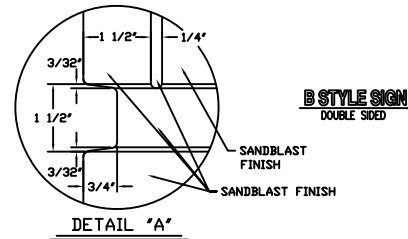
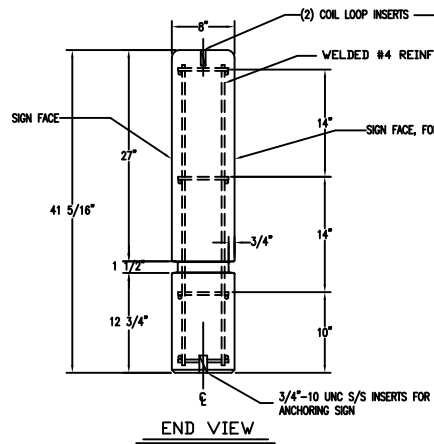


SUGGESTED FOOTING FOR NON-FREEZE THAW ENVIRONMENT
A BASE DOES NOT TAKE THE PLACE OF A FOOTING

WAUSAU TILE IS NOT RESPONSIBLE FOR FOOTING.
NOTE: FOOTING BY OTHERS CONTACT LOCAL GOVERNMENT OFFICE FOR BUILDING CODES IN YOUR AREA.!!



- (4) 3/4" UNC S/S INSERTS
- (4) 3/4" S/S READY RODS 12" LONG
- (2) 3/4" COIL LOOP INSERTS FOR LIFTING 44318
- (2) 3/4" PLASTIC PLUGS FOR LIFTING INSERTS PP11075

APPROX. WEIGHT 2100#

PRECAST CONCRETE SIGN 6'-0" NO. TF-8020-B											
Terra-Form Products				Terra-Paving Products				Precast Products			
WAUSAU TILE											
<small>P.O. BOX 1000 WASHINGTON, MISSOURI 64801-1000 P.O. BOX 107 WASHINGTON, CALIFORNIA 92220-0107-408-5985</small>											
REVISIONS						JOB XXXXX			LOCATION XXXXX		
NO.	DATE	BY	NO.	DATE	BY	ARCHITECT			DRAWING		
1	9/16/03	BY	4			DRAWN BY R.J.H.			DATE 5/22/01		
2			5			CHKD.			JOB NO. XXXXXX		
3			6						SCALE AS NOTED		
						JOB NO. XXXXXX			DRAW. NO. XXXXXX		

CONFIDENTIAL INFORMATION
These drawings, specifications and other information and documents accompanying them are the confidential and proprietary property of Wausau Tile, Inc. The drawings themselves shall belong to the owner for use only on this project. Any additional use shall require the prior written approval of Wausau Tile, Inc. The proprietary information contained within the drawings and the documents is and shall remain the sole property of Wausau Tile, Inc.