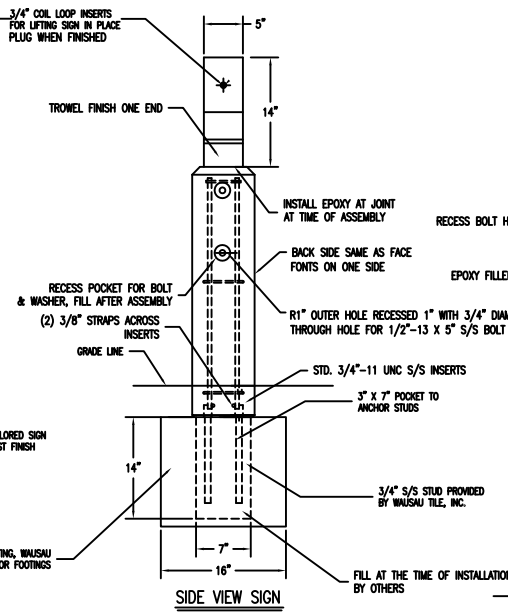
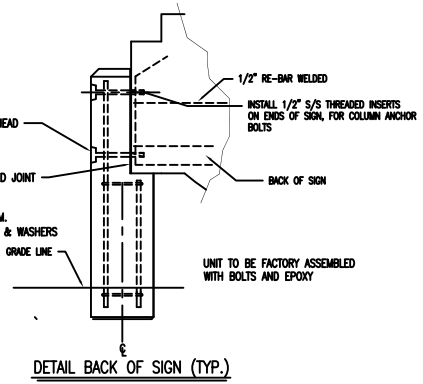


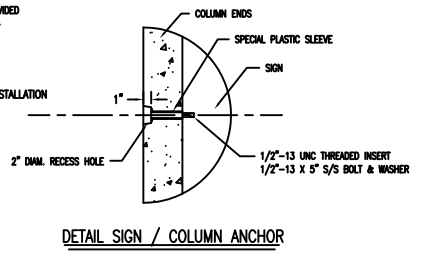
FRONT VIEW SIGN



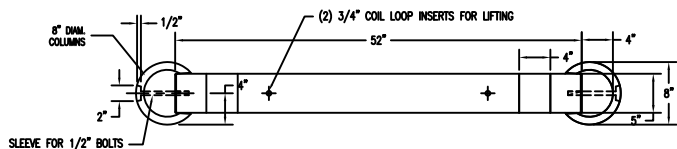
SIDE VIEW SIGN



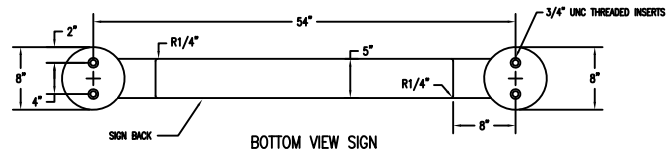
DETAIL BACK OF SIGN (TYP.)



DETAIL SIGN / COLUMN ANCHOR



TOP VIEW SIGN



BOTTOM VIEW SIGN

EXAMPLE OF FOOTING, WAUSAU TILE IS NOT RESPONSIBLE FOR FOOTINGS

STYLE A SINGLE SIDED SIGN
SHIMS AND BRACING NOT PART OF THE INSTALLATION KIT

STYLE A SINGLE SIDED SIGN

FONTS
 LETTERING TO BE STAINED BLACK
 FINISH OF ENTIRE SIGN TO BE SANDBLASTED EXCEPT WHERE NOTED
 SIGN TO BE 07-37-BRAD CONCRETE COLOR
 PLEASE VERIFY COLOR AND FINISH OF SIGN
 COLOR OF LETTERING / ARTWORK WORDING AND SPELLING
 SIGNATURE: _____
 NAME: _____
 DATE: _____

NOTE: FOOTING BY OTHERS.

SOIL CONDITIONS MAY VARY, CONTACT LOCAL GOVERNMENT OFFICE FOR BUILDING CODE IN YOUR AREA.

WAUSAU TILE IS NOT RESPONSIBLE FOR FOOTINGS

ANCHORING DETAIL

- (4) 3/4"-10 THREADED S.S. INSERTS REQ'D.
- (4) 3/4"-10 THREADED STUDS 12" STAINLESS STEEL REQ'D.
- (2) 3/4" COIL LOOP INSERTS FOR LIFTING REQ'D.
- (2) 7/8" PLASTIC PLUGS FOR CLOSING LIFTING HOLES REQ'D. PP11121
- (4) 1/2"-13 UNC X 5" LONG S/S BOLTS
- (4) 1/2" S/S FLAT WASHERS
- (4) 1/2" UNC THREADED INSERTS S/S IN COLUMNS

CONFIDENTIAL INFORMATION

These drawings, specifications and other information and documents accompanying them are the confidential and proprietary property of Wausau Tile, Inc. The drawings themselves shall belong to the owner for use only on this project. Any additional use shall require the prior written approval of Wausau Tile, Inc. The proprietary information contained within the drawings and the documents is and shall remain the sole property of Wausau Tile, Inc.

WAUSAU TILE SITE FURNISHINGS						P.O. BOX 1539 WILSON, BEVERLYHILLS 90402-1539 (818) 278-0728 P.O. BOX 987 IRVING, CALIFORNIA 92239 (951) 251-6535		
REVISIONS			DRAWN BY		JOB		LOCATION	
NO.	DATE	BY	NO.	DATE	BY	TITLE	JOB NO.	WEIGHT
1	04/09/07	MAS	4			TFB011	CO398662	APPROX. 1,000 LBS
2			5				DATE 5/24/07	FINISH OPTIONS
3			6			CHECKED 3-12-08	UNLESS OTHERWISE SPECIFIED DIMENSIONS ARE IN INCHES RUCS 2007 2 PL. SIGN 3 PL. SHIMS	DWG. NO. 007-5-064