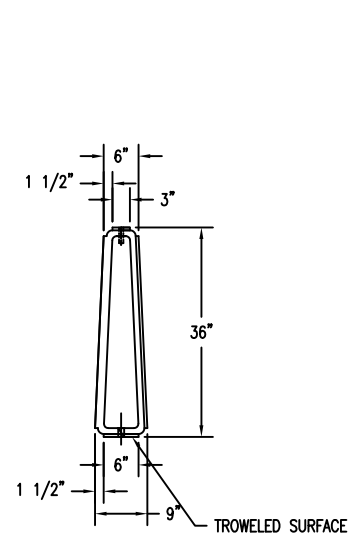
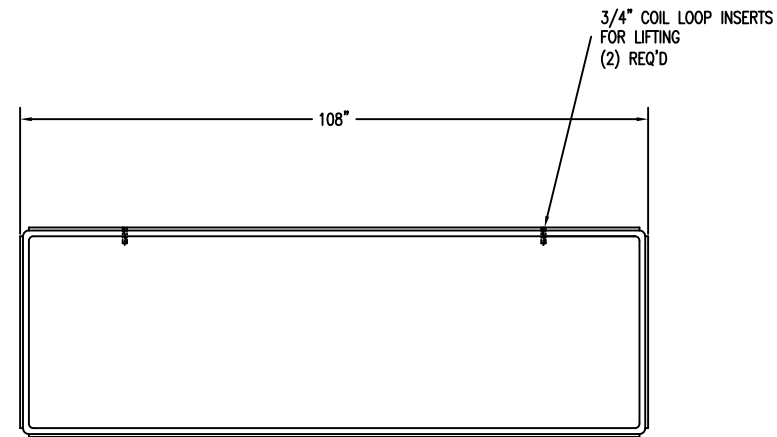


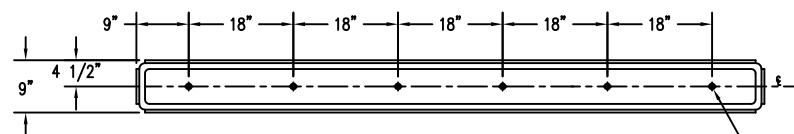
FRONT VIEW



END VIEW

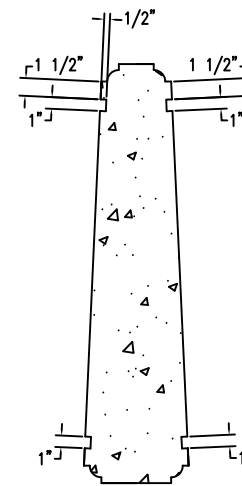


BACK VIEW



BOTTOM VIEW

3/4-10 S/S THREADED INSERTS  
(6) REQ'D  
USE WITH PROVIDED 3/4-10 UNC X 12" LONG  
THREADED ROD, FOR ANCHORING TO CUSTOMER  
SUPPLIED FOOTING



SECTION VIEW

NOTE: FOOTING BY OTHERS

SOIL CONDITIONS MAY VARY  
CONTACT LOCAL GOVERNMENT  
OFFICE FOR BUILDING CODE  
IN YOUR AREA.  
WAUSAU TILE IS NOT RESPONSIBLE FOR FOOTING

HARDWARE REQUIREMENTS

(6) 3/4" THREADED STUDS 12" STAINLESS STEEL REQ'D.

CONFIDENTIAL INFORMATION

These drawings, specifications and other information and documents accompanying them are the confidential and proprietary property of Wausau Tile, Inc. The drawings themselves shall belong to the owner for use only on this project. Any additional use shall require the prior written approval of Wausau Tile, Inc. The proprietary information contained within the drawings and the documents is and shall remain the sole property of Wausau Tile, Inc.

WAUSAU TILE'S SITE FURNISHINGS						P.O. BOX 1520 WAUSAU, WISCONSIN 54402-1520 800/388-8778 P.O. BOX 967 BANNING, CALIFORNIA 92220 800/231-0536	
REVISIONS			DRAWN BY	MJS	JOB	MATERIAL: CONCRETE	
NO.	DATE	BY	NO.	DATE	BY	TITLE	NU-TEC
1	10/24/06	MJS	4			JOB NO.	CO 385480
2			5			SCALE	1/16" = 1"
3			6			UNLESS OTHERWISE SPECIFIED DIMENSIONS ARE IN INCHES ANGLES ±0.5° 2 PL. ±0.01 3 PL. ±0.005	DATE
						FINISH OPTIONS	DWG. NO.
						WEIGHT ESTIMATED: 2,700 LBS.	TF8010