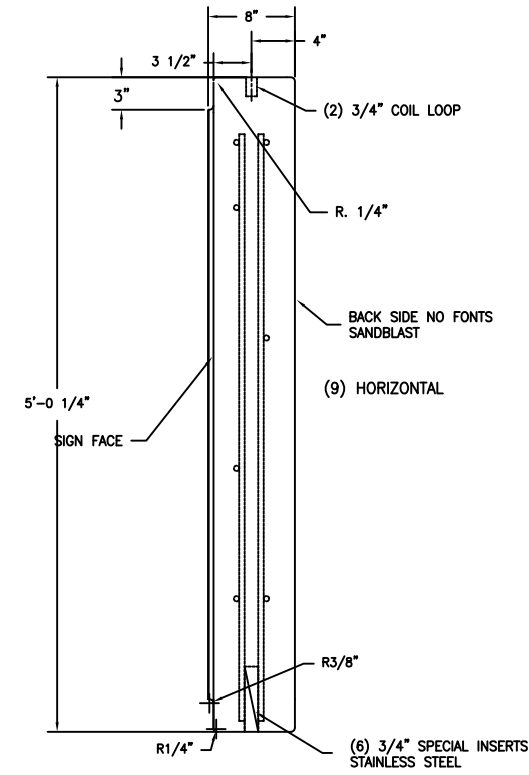


FRONT VIEW 10' SIGN
LETTERS STYLE BKM-0 .75



STYLE "A" SINGLE SIDED
END VIEW

STYLE "A" SHOWN, SINGLE SIDED

CONFIDENTIAL INFORMATION

These drawings, specifications and the other information and documents accompanying them are the confidential and proprietary property of Wausau Tile, Inc. The drawings themselves shall belong to the owner for use only on this project. Any additional use shall require the prior written approval of Wausau Tile, Inc. The proprietary information contained within the drawings and the documents is and shall remain the sole property of Wausau Tile, Inc.

Terra-Form Products						Terra-Paving Products						Precast Products											
WAUSAU TILE												P.O. BOX 1520 WAUSAU, WISCONSIN 54402-1520 715/359-3121 P.O. BOX 967 BANNING, CALIFORNIA 92220 877-849-5695											
REVISIONS						JOB SAMPLE TF8006 10' X 5'						LOCATION WAUSAU, WI.											
NO.	DATE	BY	NO.	DATE	BY	ARCHITECT RJH						DRAWING TF8006											
1			4			DRAWN BY						DATE 7/2/97						SCALE					
2			5			CHKD.						JOB NO.						DRWG. NO. 995-12-52					
3			6																				