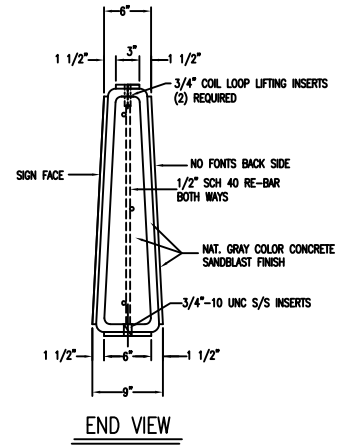


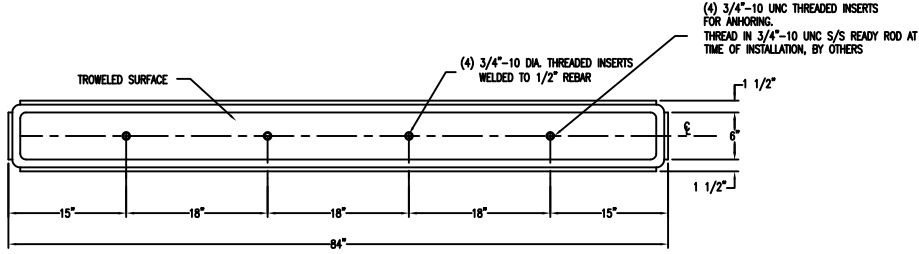
FRONT VIEW



END VIEW

STYLE A SINGLE SIDED SIGN

FONTS: _____
 LETTERING TO BE STAINED _____
 FINISH OF ENTIRE SIGN TO BE SANDBLASTED EXCEPT WHERE NOTED.
 SIGN TO BE _____ CONCRETE COLOR
 PLEASE VERIFY COLOR AND FINISH OF SIGN COLOR OF LETTERING / ARTWORK WORDING AND SPELLING
 SIGNATURE: _____
 NAME: _____
 DATE: _____
 NOTE: FOOTING BY OTHERS



BOTTOM VIEW

STYLE "A" SINGLE SIDED SIGN

ALL SIDES ARE SANDBLASTED UNLESS NOTED OTHERWISE
 SHIMS AND BRACING ARE NOT PART OF THE INSTALLATION KIT

SOIL CONDITIONS MAY VARY, CONTACT LOCAL GOVERNMENT OFFICE FOR BUILDING CODE IN YOUR AREA.
WAUSAU TILE IS NOT RESPONSIBLE FOR FOOTINGS

NOTE: APPROX. WEIGHT 2100#

DUE TO VARYING CLIMATE CONDITIONS, PAINT MAY DISCOLOR AFTER TWO YEARS AND HAVE TO BE REPAINTED.

- (4) 3/4"-10 UNC THREADED INSERTS REQ'D.
- (4) 3/4"-10 UNC THREADED BOLTS 12" LG. REQ'D.
- (2) 3/4" COIL LOOP LIFTING INSERTS REQ'D.
- (2) 7/8" PLASTIC PLUGS FOR LIFTING INSERTS PP1121

CONFIDENTIAL INFORMATION

These drawings, specifications and the other information and documents accompanying them are the confidential and proprietary property of Wausau Tile, Inc. The drawings themselves shall belong to the owner for use only on this project. Any additional use shall require the prior written approval of Wausau Tile, Inc. The proprietary information contained within the drawings and the documents is and shall remain the sole property of Wausau Tile, Inc.

WAUSAU TILE'S SITE FURNISHINGS											
REVISIONS						DRAWN BY	JOB	LOCATION			
NO.	DATE	BY	NO.	DATE	BY	TITLE	TF800S	JOB NO.	X0000X	WEIGHT	X0000X
1		4				SCALE	NTS	UNLESS OTHERWISE SPECIFIED DIMENSIONS ARE IN INCHES ANGLES ARE	DATE	X0000X	FINISH
2		5						2 PL. 500# 3 PL. 600#			ENCL. NO.
3		6									X000X

P.O. BOX 1520 WAUSAU, WISCONSIN 54982-1520 800/393-6720
 P.O. BOX 907 DANBURG, CALIFORNIA 92320 800/235-0526